

AeroCatch[®] 3

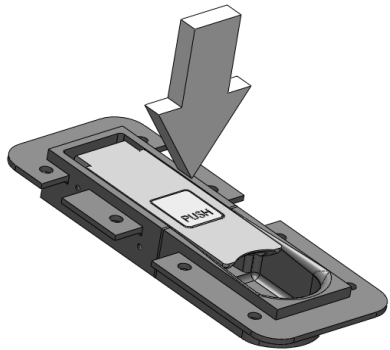
Operating and Installation

325 Flush Series

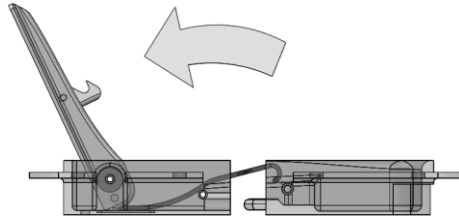
Thank you for selecting the **AeroCatch3** shear and tension latch. The following instructions are to help you successfully install and use this unique product. The kit contains 2 **AeroCatch3** latches, full installation and operation instructions, and panel cut-out template.

Operation

Before starting please familiarise yourself with the **AeroCatch3**. Depress the square shaped secondary lock button and lift handle



until you override the handle hold-up detent (around 110°), at this position the drawhook is clear of the strike allowing the panels to be pulled apart and the shear tongue disengaged.



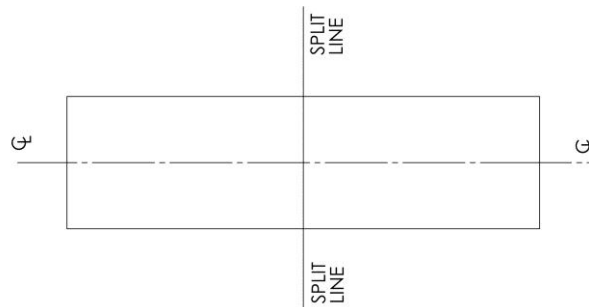
To close the latch, put the panels together and engage the shear tongue, push the handle down until the drawhook engages the strike, pulls the panels together and the secondary lock button snaps in position. An audible click can be heard as it locks.

Installation

Once you have unpacked your **AeroCatch3** kit you have two options for marking the panel cut-out. You can use either the cardboard packaging template provided for the panel top, or the dimensions shown on the installation drawings enclosed.

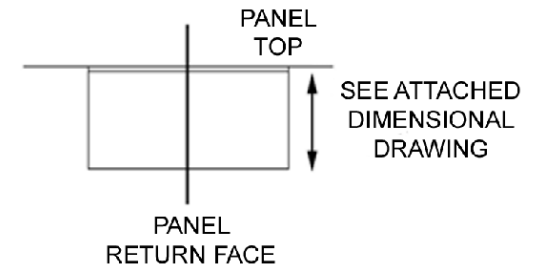
First clamp the two panels together in the required position.

Lay the cardboard packaging sheet out flat, you will see two sets of cross lines on the template, these determine the centre line of the latch and the panel split line.



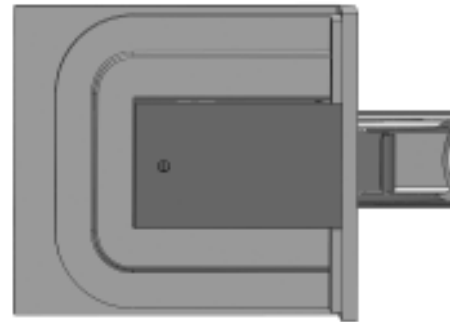
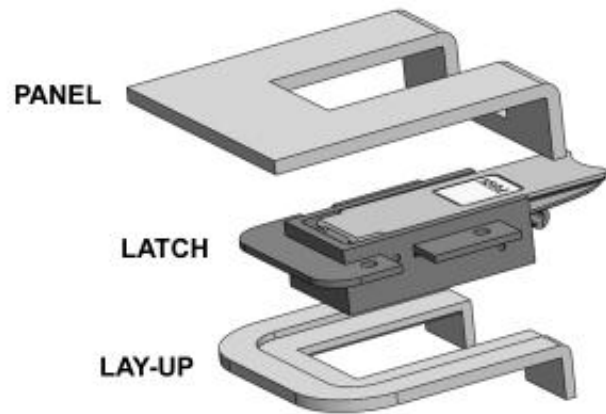
Check that there is sufficient room below the panel for the housings and the location is either flat or with minimal radius. Place the template onto the panel. Using a straight edge line up the cross lines on the centre of the proposed latch position on the panel split line, Mark around the cut-out and remove the template.

Remove the clamps holding the panels together and mark the cut-out on the return face of both panels. You can now cut the panels as required.

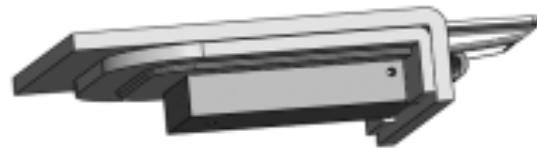
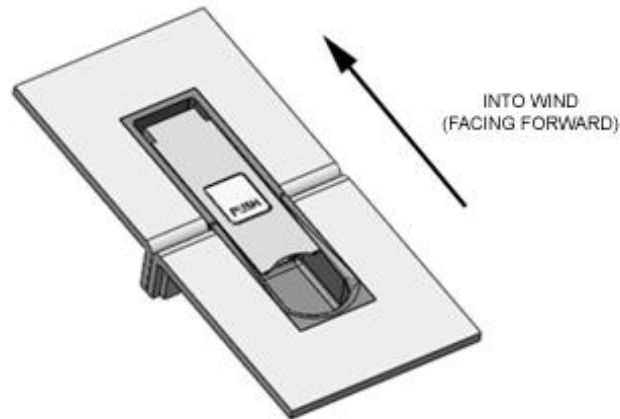


The 325 Flush Series **AeroCatch3** is installed from below the panel and it is recommended that it is retained by bonding and layering in with material compatible with the panel structure, please see the installation instructions. The 325 Series mounting flange is set below the top of the latch to allow for a 4mm panel thickness. When using a 325 series with a thinner panel it will be necessary to pack behind the flange so that the top of the latch is flush with the top of the panel, panel thicknesses above 4mm will need rebating accordingly.

AeroCatch3 325 Flush Series installation



View from below



Latch bonded and layered in position

Care of your **AeroCatch3**

To optimise performance of your **AeroCatch3**, clean mechanism regularly with a small brush and lubricate with a light spray oil wiping away any excess.

Technical Support

We hope these instructions will enable you to successfully install and use **AeroCatch3**. Should you encounter problems or wish to use it in a different application area please call our technical support on +44 (0)1803 868677, FAX on +44(0)1803 86878, email us at graham@aerocatch.com or visit our website at www.AeroCatch.com