

NOTES:

- THIS DRAWING DESCRIBES THE FUELAB 818xx SERIES FUEL FILTER.
- FEATURES INCLUDE:
 - TWO INTEGRATED MALE AN FITTING ENDS (ON EITHER SIDE OF FILTER)
 - AVAILABLE IN FOUR (4) FITTING SIZES FOR BOTH ENDS
 - AVAILABLE WITH FOUR (4) ELEMENT TYPES
 - BILLET ALUMINUM CONSTRUCTION WITH FLUOROSILICONE SEALS.

3. FUEL COMPATIBILITY INCLUDES:
- GASOLINE (PUMP OR RACE)
 - METHANOL
 - ETHANOL (INCLUDING E85)
 - DIESEL

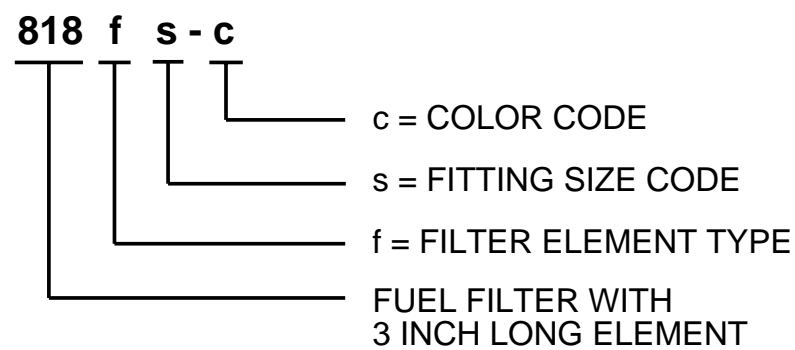
SPECIAL NOTE: CELLULOSE ELEMENTS HAVE COMPATIBILITY WITH GASOLINE (PUMP OR RACE) AND DIESEL FUELS ONLY!

4. UNIQUE SERIAL NUMBER DOES NOT CONTAIN DIRECT INFORMATION IN DETERMINING MODEL NUMBER. CONTACT FUELAB FOR DETERMINATION OF MODEL NUMBER BASED ON SERIAL NUMBER.

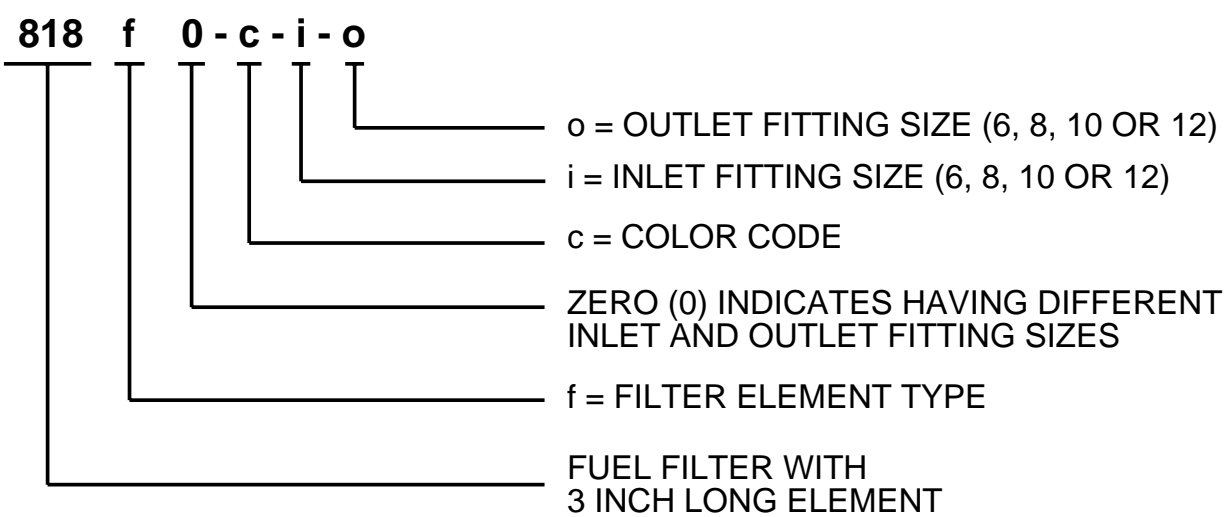
- SADDLE CLAMP AND INSTRUCTIONS INCLUDED, BAGGED SEPARATELY FROM FILTER.
- SEE TABLES BELOW FOR DETERMINATION OF DESIRED MODEL NUMBER.

MODEL NUMBER SCHEME:

HAVING SAME INLET AND OUTLET FITTING SIZES:



HAVING DIFFERENT INLET AND OUTLET FITTING SIZES:



COLOR CODE, c

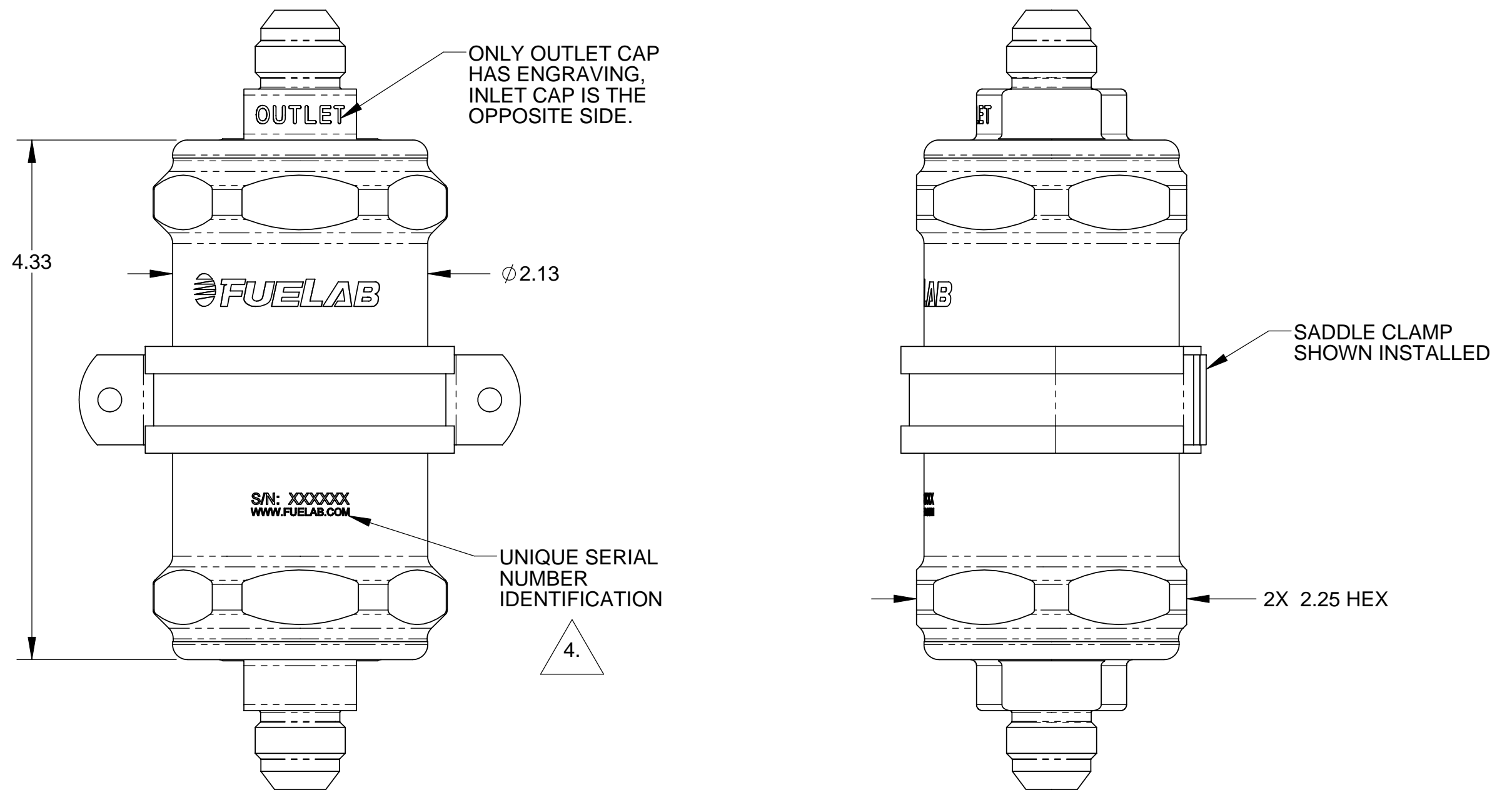
C	CODE	BODY COLOR
1	BLACK	BLACK
2	RED	CLEAR
3	BLUE	CLEAR
4	PURPLE	CLEAR
5	GOLD	BLACK
6	GREEN	CLEAR

FITTING SIZE CODE, s

S	CODE
0	CUSTOM, ADD -I-O TO MODEL
1	-6 AN
2	-8 AN
3	-10 AN
4	-12 AN

FILTER ELEMENT TYPE, f

C	MATERIAL	MICRON RATING
0	CELLULOSE (PAPER)	10μ RELATIVE
1	STAINLESS STEEL	40μ RELATIVE
2	STAINLESS STEEL	75μ RELATIVE
3	MICRO-FIBERGLASS	6μ ABSOLUTE



MODEL 81802-1 SHOWN ABOVE AS EXAMPLE

3.

UNLESS OTHERWISE SPECIFIED:
 INTERPRET DWG PER ANSI Y14.5
 DIMENSIONS ARE IN INCHES
 TOLERANCES:
 FRACTIONAL: ±1/64"
 ANGULAR: ±1/2°
 DECIMALS:
 X±1 .XX±0.03 .XXX±0.010
 SURFACE FINISH: 128 OR BETTER
 BREAK ALL SHARP EDGES: 010 MAX
 REMOVE ALL BURRS

THIRD ANGLE PROJECTION

DO NOT SCALE DRAWING

FUELAB
 DIGITAL FUEL DELIVERY
 Litchfield, Illinois

TITLE:
**FILTER,
 818xx SERIES**

SIZE	DWG. NO.	REV
C	108020100	

SCALE: 1/1 WEIGHT: SHEET: 1 OF 1