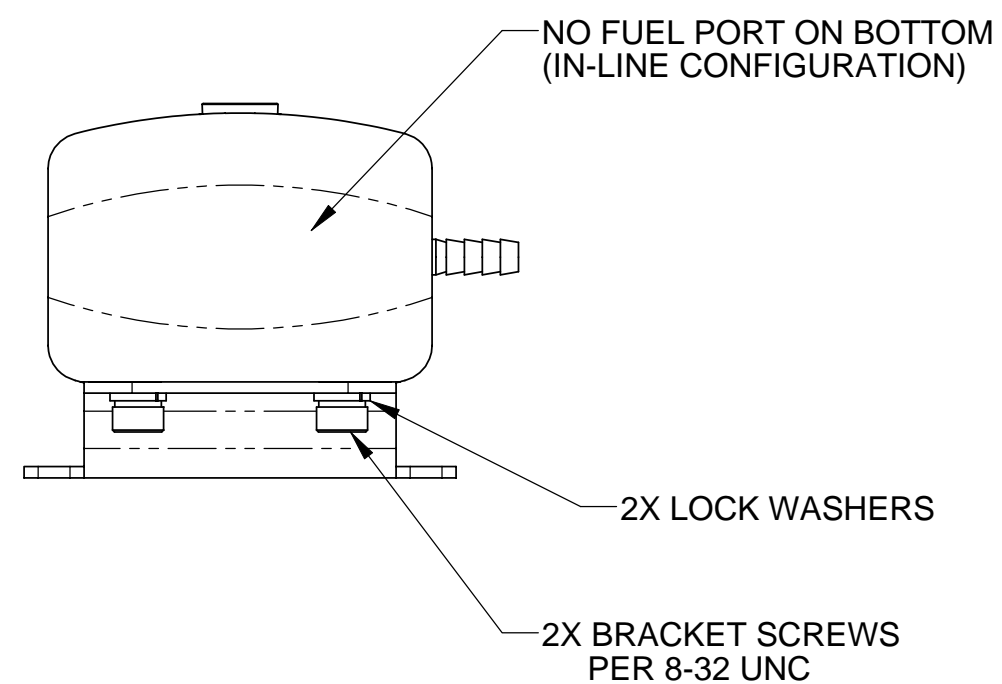
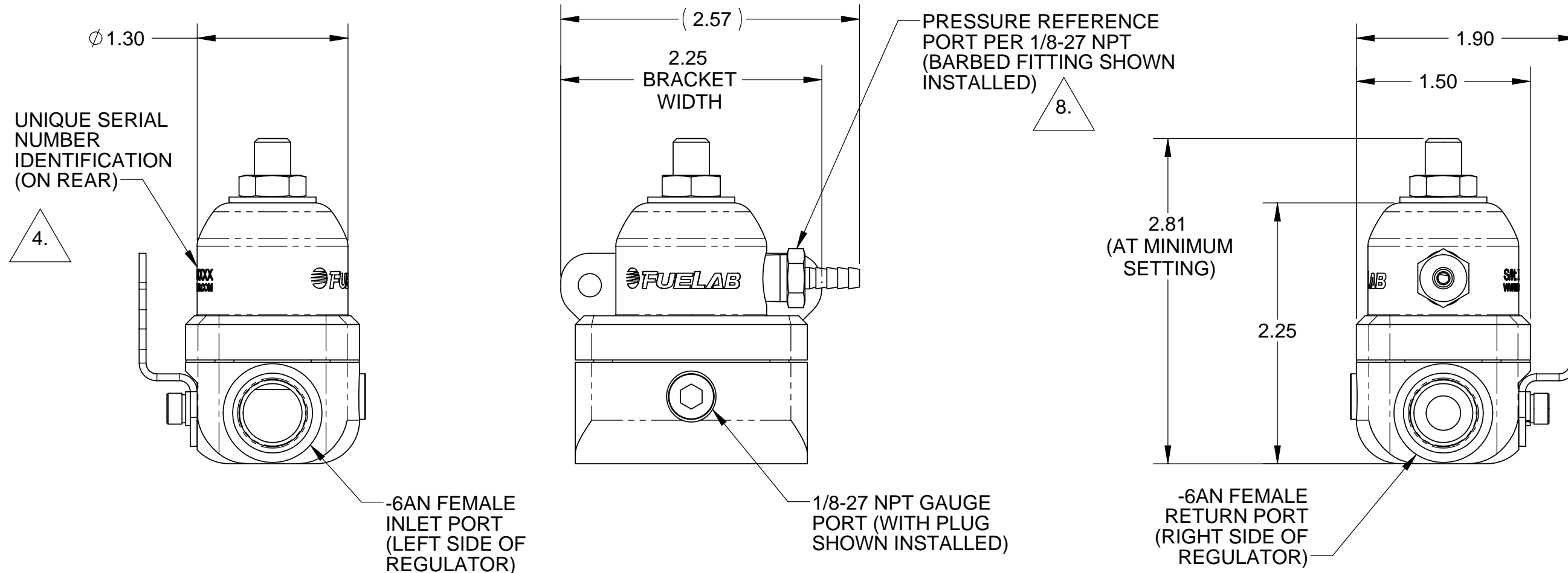
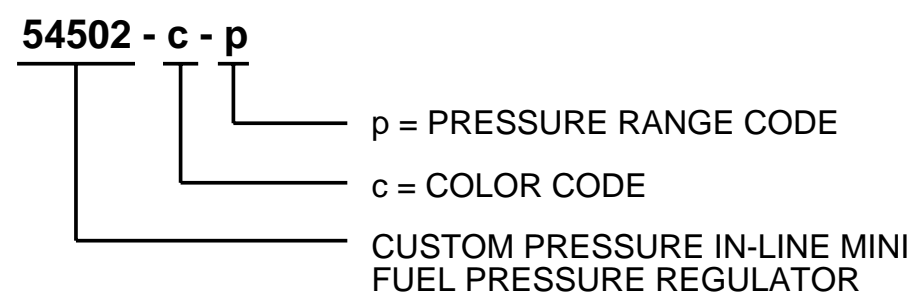
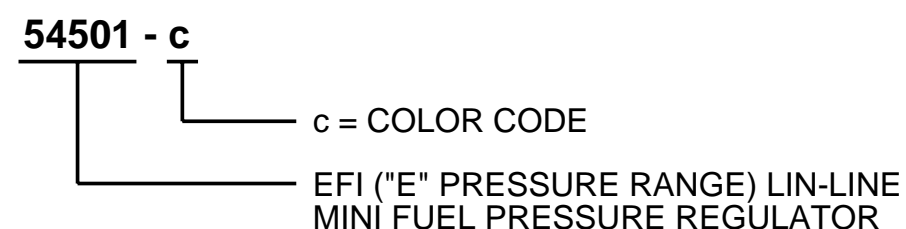


NOTES:

1. THIS DRAWING DESCRIBES THE FUELAB 545xx SERIES IN-LINE MINI FUEL PRESSURE REGULATOR.
2. FEATURES INCLUDE:
 - ONE -6AN INLET PORT (LEFT SIDE OF REGULATOR)
 - ONE -6AN RETURN PORT (RIGHT SIDE OF REGULATOR)
 - AVAILABLE IN PRESSURE RANGES: "T", "E" AND "G"
 - BILLET ALUMINUM, STAINLESS STEEL CONSTRUCTION WITH FLUOROSILICONE DIAPHRAGM AND SEALS. PLUG AND FITTING ARE MADE OF UNPLATED BRASS.
3. FUEL COMPATIBILITY INCLUDES:
 - GASOLINE (PUMP OR RACE)
 - METHANOL
 - ETHANOL (INCLUDING E85)
 - DIESEL
4. UNIQUE SERIAL NUMBER DOES NOT CONTAIN DIRECT INFORMATION IN DETERMINING MODEL NUMBER. CONTACT FUELAB FOR DETERMINATION OF MODEL NUMBER BASED ON SERIAL NUMBER.
5. BRACKET, PRESSURE ADJUSTMENT HARDWARE, BRACKET MOUNTING HARDWARE, GAUGE PORT PLUG, BARBED FITTING, 3X -906 PORT O-RINGS AND INSTRUCTIONS INCLUDED, BAGGED SEPARATELY FROM REGULATOR.
6. SEE TABLES BELOW FOR DETERMINATION OF DESIRED MODEL NUMBER.
7. RATED FLOW CAPACITY IS A FUNCTION OF PRESSURE SETTING AS WELL AS RETURN LINE SIZE AND CONFIGURATION, THEREFORE FLOW CAPACITY MAY BE HIGHER OR LOWER, BUT REPRESENTS TYPICAL CAPACITY. REGULATION SLOPE REFERS TO CHANGES IN FUEL PRESSURE AS A FUNCTION OF CHANGES IN FLOW RATE. AS THE AMOUNT OF FUEL RUNNING THROUGH THE REGULATOR REDUCES, THE REGULATED PRESSURE WILL LOWER, SPECIFIED BY THE REGULATION SLOPE.
8. FOR TYPICAL EFI APPLICATIONS, PRESSURE REFERENCE PORT IS PLUMBED TO THE ENGINE'S INTAKE MANIFOLD. CHANGES IN AIR PRESSURE AT THIS PORT WILL RESULT IN A CHANGE IN FUEL PRESSURE AT A RATIO OF 1:1.



MODEL NUMBER SCHEME:

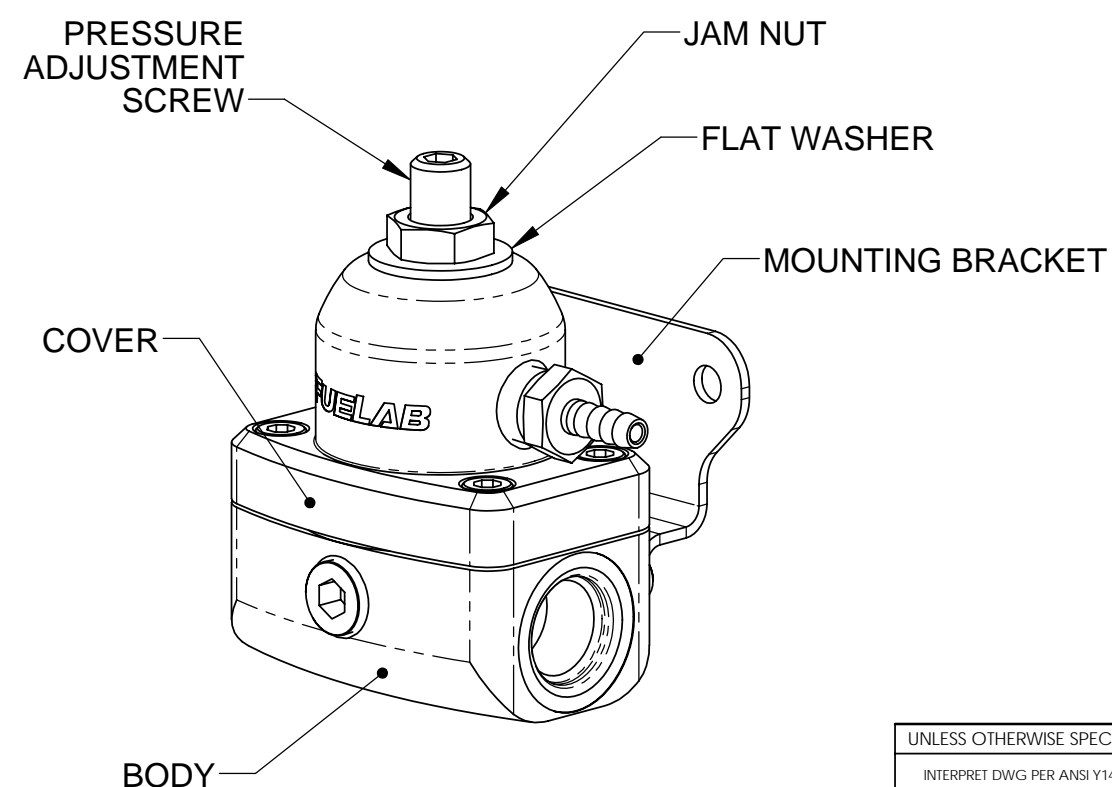


COLOR CODE, c

c	COVER COLOR	BODY COLOR
1	BLACK	BLACK
2	RED	CLEAR
3	BLUE	CLEAR
4	PURPLE	CLEAR
5	GOLD	BLACK
6	GREEN	CLEAR

PRESSURE RANGE CODE, p

p	APPROX. PRESSURE RANGE	APPROX. FLOW CAPACITY	REGULATION SLOPE
T	10-25 PSID (.7 - 1.7 BAR)	1.25 GPM (285 LPH)	2.5 PSI/GPM
E	25-90 PSID (1.7 - 6.2 BAR)	2.5 GPM (570 LPH)	5.75 PSI/GPM
G	90-125 PSID (6.2 - 8.6 BAR)	3.7 GPM (1000 LPH)	6.5 PSI/GPM



**ISOMETRIC VIEW
(ALL VIEWS SHOWN
WITH HARDWARE
INSTALLED)**

UNLESS OTHERWISE SPECIFIED:
 INTERPRET DWG PER ANSI Y14.5
 DIMENSIONS ARE IN INCHES
 TOLERANCES:
 FRACTIONAL: ±1/64"
 ANGULAR: ±1/2°
 DECIMALS:
 X±1 .XX±.03 .XXX±.010
 SURFACE FINISH: 128 OR BETTER
 BREAK ALL SHARP EDGES .010 MAX
 REMOVE ALL BURRS

THIRD ANGLE PROJECTION

DO NOT SCALE DRAWING

FUELAB
 DIGITAL FUEL DELIVERY
 Litchfield, Illinois

TITLE:
**REGULATOR,
 545xx SERIES**

SIZE	DWG. NO.	REV
C	105020400	

SCALE: 1/1 WEIGHT: SHEET: 1 OF 1