

Description: Zero 2000 FIA 4.0 litre Fire Marshal Mechanical (Aluminium Cylinder)

FIA homologation: EX.002.98

Part No: LL102-400-002

Contents: Zero 2000 Foam, 4.0 litres, single chamber

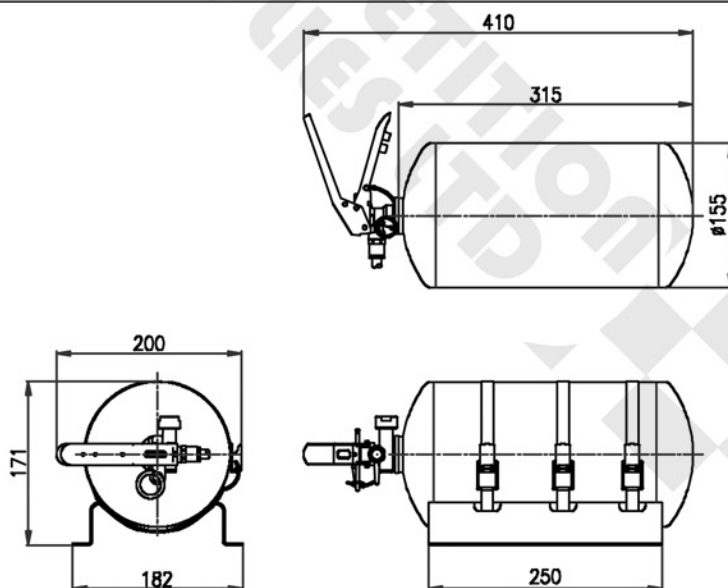
Discharge System: Mechanical, pressurised to 8bar

Cylinder: Aluminium Alloy

Size (mm): 155 dia x 171 x 410 (incl. bracket & discharge heads)

Weights: Cylinder (filled) = 5.1 kg

Operating Temperatures: -15 to +60 degrees C



Kit Contents

1 x 4.0 single chamber cylinder with bracket & straps
 1 x 6ft Cable T Handle c/w nipple
 1 x 12ft Cable T Handle c/w nipple
 4 x Discharge nozzles
 3 x T connectors (push in)

5 x meters Semi-rigid tube
 1 x Decal pack
 1 x Instructions manual