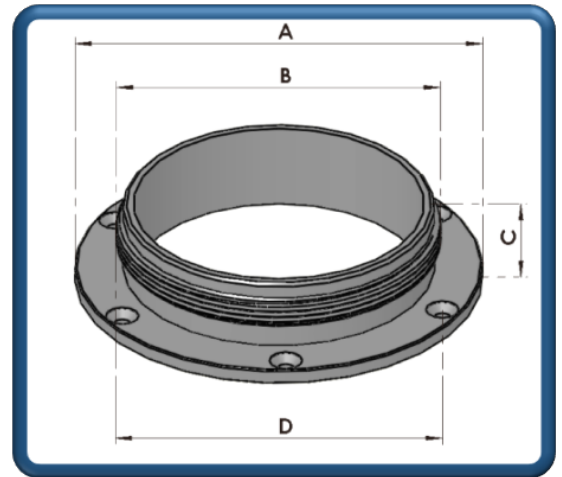




# Classic 350

**Classic 3.50" 6 Hole Flange.  
Part Number: FL-AG-001 (CF350)**



## **Specifications:**

**Options:**

**Fixing Arrangement:**

**Applications:**

**Compatibilities:**

**Finish:**

**Weight:**

**Supplied With:**

N/A

6 x M5 CSK Bolts

Fuel, Oil & Water Tanks

Compatible with Add Blue

Operation Temperature -40°C to +80°C

Anodised Silver +AA6 BS EN ISO 7599

60.0 grams

Flange

Screw Pack (CSK Screws, Washers, Nyloc Nuts)

Gasket

## **Materials:**

**Flange:**

**Screw Pack:**

**Gasket:**

Aluminium Alloy 6082/T6

A2 Type Stainless Steel

NBR Cork

## **Dimensions:**

**Outer Diameter A:**

**Thread Specifications B:**

**Height C:**

**PCD D:**

126.0mm

3.5" x 11TPI BSP Thread

22.0mm

6 x M5 CKS Holes on a 114.3mm PCD

## **Optional('s):**

Viton A Gasket

Classic 3.5" Cap