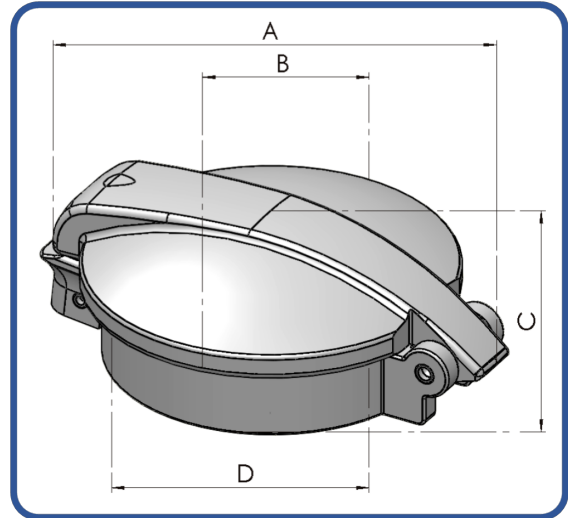




# Classic 200

## Classic 200 Fuel Filler Cap.



### Specifications:

**Options:**  
**Fixing Arrangement:**  
**Applications:**  
**Compatibilities:**

**Finish:**  
**Weight:**  
**Supplied With:**

N/A  
2" x 18TPI WHIT FORM Thread  
Fuel, Oil & Water Tanks  
Compatible with Add Blue  
Operation Temperature -40°C to +80°C  
Natural Polished  
115.0 grams  
Fibre Gasket

### Materials:

**Centre Cap:**  
**Flange:**  
**O-Ring:**  
**Seal Plate:**  
**Gasket:**

Aluminium Alloy LM25 Cast  
Aluminium Alloy LM25 Cast  
Viton A (FPM or FKM)  
Brass  
Fibre Vulcan

### Dimensions:

**Length A:**  
**Width B:**  
**Height C:**  
**Thread D:**  
**Bore Diameter:**

80.0mm  
46.0mm  
63.5mm  
32.0mm Adjustable  
35.50mm

### Optional('s):

**Colour('s):**

Flange  
Flange Neck