

Side and End Mounting - Rectangular Tank

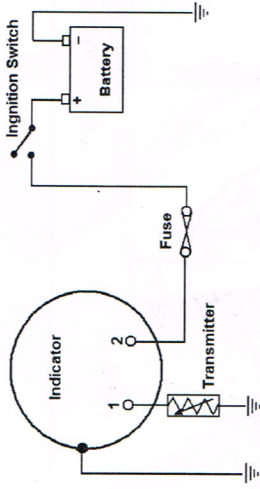
Tank Depth (mm)	"Bimetal"	"Euro"	Arm Length (mm)
610	338	310	
584	325	298	
559	312	286	
533	299	275	
508	287	263	
483	274	252	
457	261	240	
432	249	228	
406	236	216	
381	223	205	
356	---	193	
330	---	181	
305	---	170	
279	---	158	

Side and End Mounting - Cylindrical tank

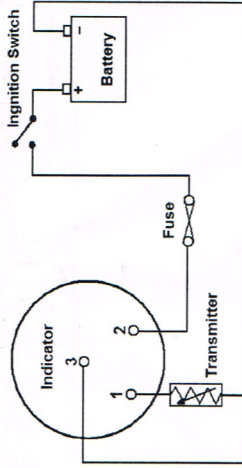
Tank Depth (mm)	"Bimetal"	"Euro"	Arm Length (mm)
610	283	260	
584	272	250	
559	262	240	
533	251	230	
508	241	221	
483	231	212	
457	220	202	
432	210	193	
406	199	183	
381	189	173	
356	179	164	
330	168	154	
305	158	145	
279	147	135	
254	137	126	
229	126	---	
203	---	---	

Wiring Diagrams

Earth Return



Insulated Return



Notes

- Low level warning light facility only available on earth return transmitters ("V" terminal).
- "W" terminal on insulated return transmitters is return to battery negative.
- "T" terminal on both earth and insulated return transmitters is connection to indicator.

Caerbont Automotive Instruments Ltd.
Abercrave, Swansea, SA9 1SH.
Tel: 01639 732200 Fax: 01639 732201

UH TB901/Kit



Caerbont Automotive Instruments

'The original makers of SMITHS Instruments'

Fuel Contents Transmitters/Senders

Variable Length Type:

TB90 B/KIT

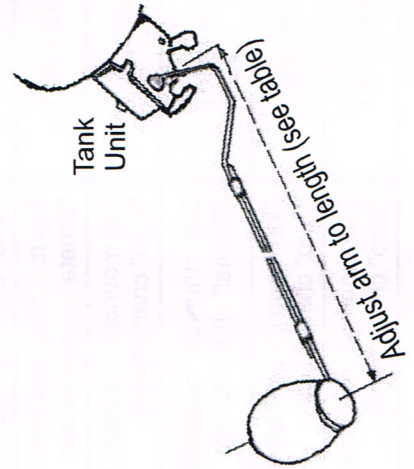
For uniform section rectangular or circular tanks with 6 hole flange fixing.

Code	Description
TB9006/KIT	Top mounted, warning light "Bimetal" characteristic
TB9010/KIT	Top mounted, earth return "Euro" characteristic
TB9011/KIT	Top mounted, insulated return "Bimetal" characteristic
TB9012/KIT	Top mounted, insulated return "Euro" characteristic
TB9013/KIT	Side mounted, insulated return "Bimetal" characteristic
TB9014/KIT	Side mounted, insulated return "Euro" characteristic
TB9018/KIT	Side mounted, earth return "Euro" characteristic

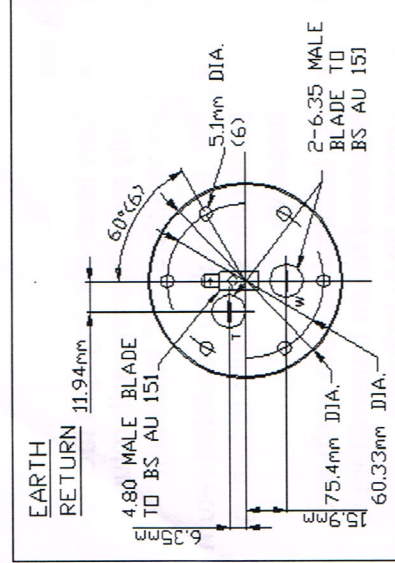
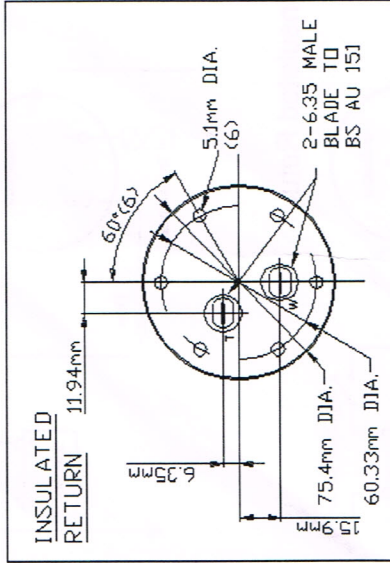
General Fitting Instructions

- Measure internal depth/diameter of the fuel tank.
- Select arm length required against tank depth measured, from appropriate table.
- Assemble the wire arms and clips as shown in the diagram to give the specified arm length.
- Ensure that the float axis is parallel to the tank unit flange.
- Trim excess wire retaining maximum overlap to maintain rigidity.
- Solder at and around the two clips, guard against overheating.
- Fit the float to the end of the arm, either way round is acceptable.
- Coat both sides of gasket with sealant and assemble tank unit to tank flange.
- Secure firmly and evenly.

NOTE: Interpolation between max and min. listed values only is permissible; using the nearest listed value to that measured.



Wiring Connections (For wiring diagrams see back cover)



Top Mounting – Rectangular Tank

Tank Depth (mm)	"Bimetal"	Arm Length (mm)	"Euro"
610	542		494
584	517		471
559	492		449
533	466		425
508	442		403
483	417		380
457	391		357
432	367		334
406	341		311
381	316		288
356	292		266
330	266		243
305	241		220
279	216		197
254	191		174
229	165		152
203	141		128

Top Mounting – Cylindrical Tank

Tank Depth (mm)	"Bimetal"	Arm Length (mm)	"Euro"
610	542		494
584	517		471
559	492		449
533	466		425
508	442		403
483	417		380
457	391		357
432	367		334
406	341		311
381	316		288
356	292		266
330	266		243
305	241		220
279	216		197
254	191		174
229	165		152
203	141		128