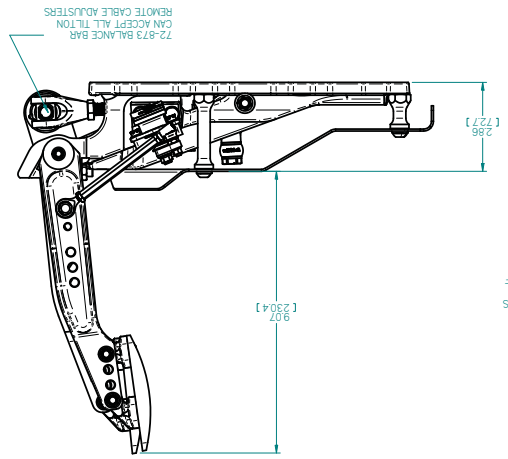
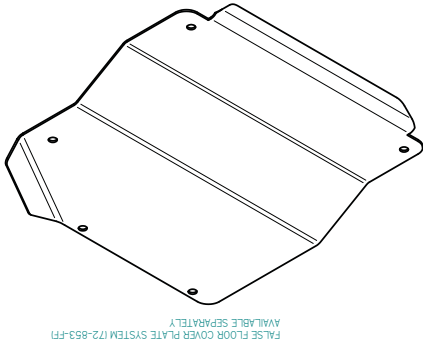
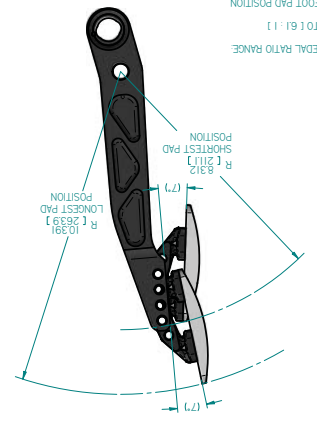
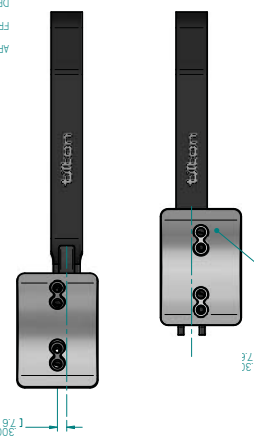
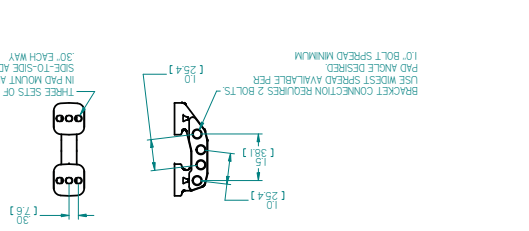
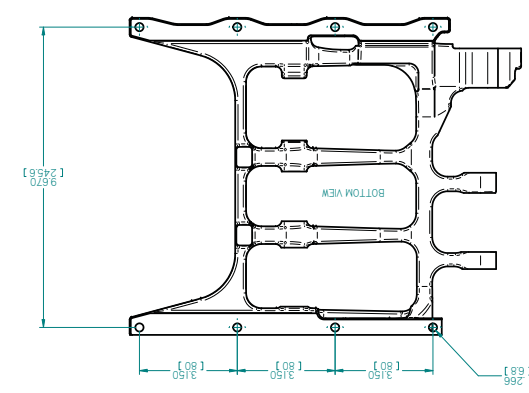
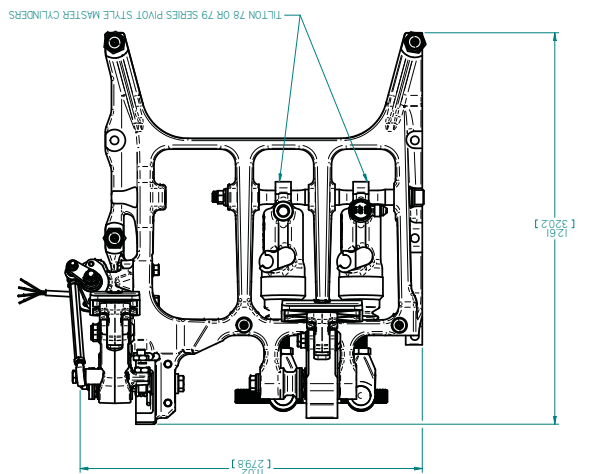
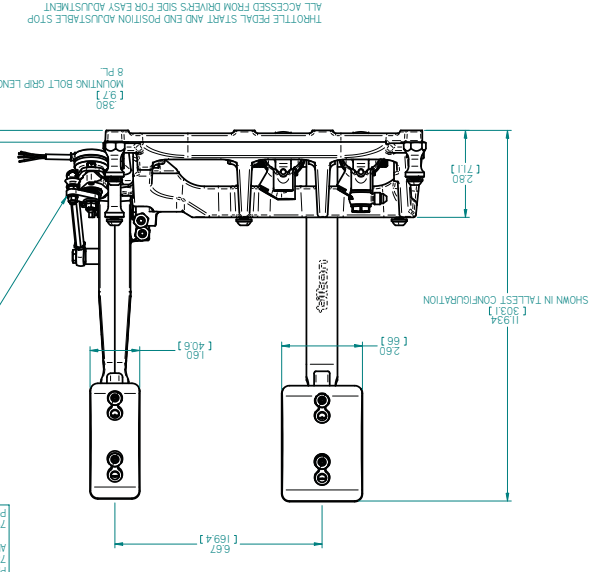


- NOTES:
1. DIMENSIONS AND TOLERANCES PER ASME Y14.5-2009
 2. UNLESS OTHERWISE SPECIFIED, ALL DIMENSIONS ARE IN INCHES.
 3. BREAK SHARP EDGES .005-0.10



TITLE: INSTALLATION DRAWING, ASSEMBLY PEDALS UNDERFOOT, STATIONARY, THROTTLE, BRAKE, PIVOT TYPE MASTERS

TILTON ENGINEERING, INC. 25 SAYS STREET P.O. BOX 1787 BUELTON, CALIFORNIA 94627 USA
 PHONE: (805) 888-2553 FAX: (805) 888-2745 WWW.TILTONEENGINEERING.COM
 THIS DRAWING IS THE PROPERTY OF TILTONE ENGINEERING, INC.

P/N	72-857	DATE	1/23/2019	SHEET	1 OF 1
DRAWN BY	LUND	CHECKED	WAHL	SCALE	1:2
REV	NC	6945			

TILTONE ENGINEERING, INC.

This document contains proprietary information of TILTONE ENGINEERING, INC., and its receipt or possession does not convey the rights to reproduce, disclose its contents, or to manufacture, use or sell anything it may describe. Reproduction, disclosure, or use without specific written authorization of TILTONE ENGINEERING, INC. is strictly forbidden.

1	2	3	4	5	6	7	8
CHANGE OR ADDITION							
REV	DATE	BY	ECD				