

4

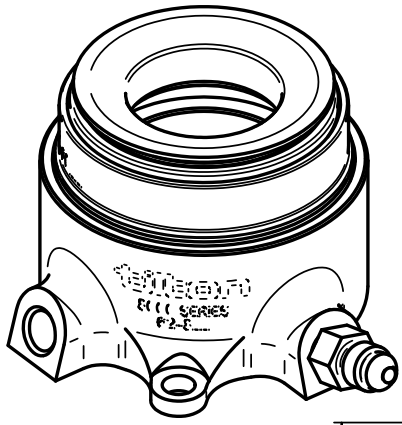
3

2

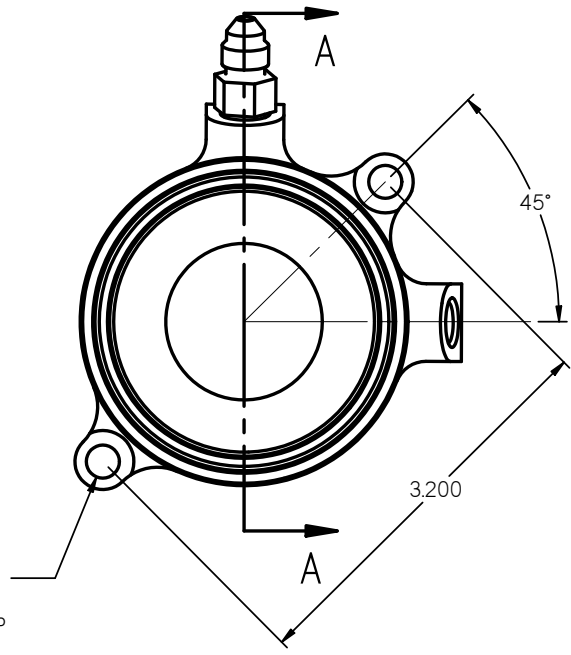
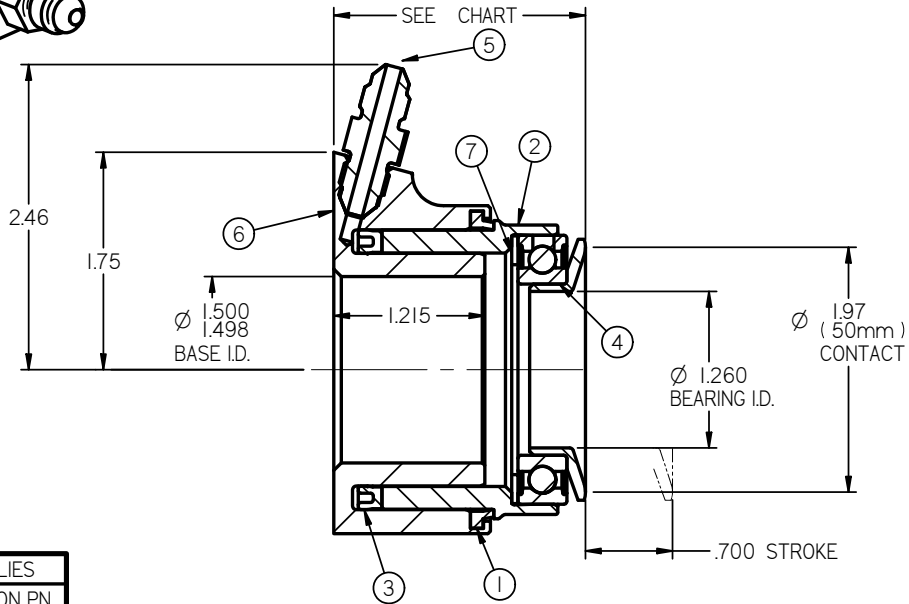
1

INSTALLATION NOTES:

1. USE ONLY WITH DOT-3 OR DOT-4 BRAKE FLUID.
2. NO INTERNAL TRAVEL LIMITER. MUST BE USED WITH CLUTCH PEDAL STOP.
3. SEAL REBUILD KIT = 62-905.
4. SEAL INSTALLATION TOOL = 96-002.
5. HYDRAULIC AREA = 1.215 SQ IN.
6. EITHER PORT MAY BE USED FOR FEED OR BLEED.
7. ORIENTATE BLEED PORT TO WITHIN 10 DEGREES OF TOP CENTER TO FACILITATE BLEEDING PROCESS.
8. UNIT IS SHIPPED WITH 62-903 SHIM (.050" THICK) INSTALLED UNDER THE BEARING WHICH MAY BE REMOVED FOR ADDITIONAL CLEARANCE.
9. BOTH PORTS 3/8-24 UNF X .28 THREAD DEPTH.



ITEM	PART NUMBER	DESCRIPTION	QTY
1	62-617	WIPER	1
2	SEE CHART	PISTON	1
3	62-614	HYDRAULIC SEAL	1
4	62-009	BEARING, 50mm	1
5	73-820	FITTING, AN-3	2
6	62-806	HYDRAULIC BASE	1
7	62-903	SHIM	1



SECTION A-A

Ø .266 THRU HOLES
SUITABLE FOR 1/4"
OR 6mm FASTENERS, .15 GRIP

HEIGHT	ASSY PN	PISTON PN
1.83"	60-8500	62-6000
1.93"	60-8510	62-6001
2.03"	60-8520	62-6002
2.13"	60-8530	62-6003
2.23"	60-8540	62-6004
2.33"	60-8550	62-6005
2.43"	60-8560	62-6006
2.53"	60-8570	62-6007
2.63"	60-8580	62-6008
2.73"	60-8590	62-6009

TILTON ENGINEERING, INC. FAX 805/688-2745
 25 EASY STREET, P.O. BOX 1787, BUELLTON, CA 93427 805/688-2353

**TITLE: HYDRAULIC RELEASE BEARING ASSEMBLY
50 mm RADIUS FACED BEARING, UNIVERSAL BASE**

DRAWN BY WAHL	CHKD	SCALE 1:1	SIZE B	DWG 7720	REV NC
P/N SEE CHART	DATE 05/24/2022	SHEET 1 OF 1			

This document contains proprietary information of TILTON ENGINEERING, INC. and its receipt or possession does not constitute an offer of any product or service. Reproduction, manufacture, use or sale of anything in any description, disclosure, or use without specific written authorization of TILTON ENGINEERING INC. is strictly forbidden.

TILTON ENGINEERING