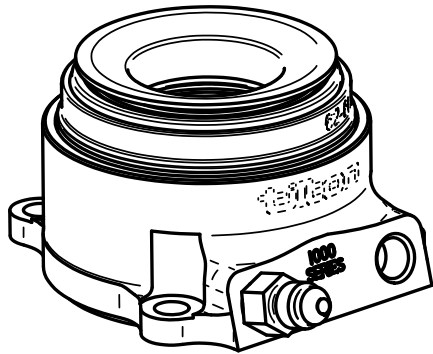


4

3

2

1

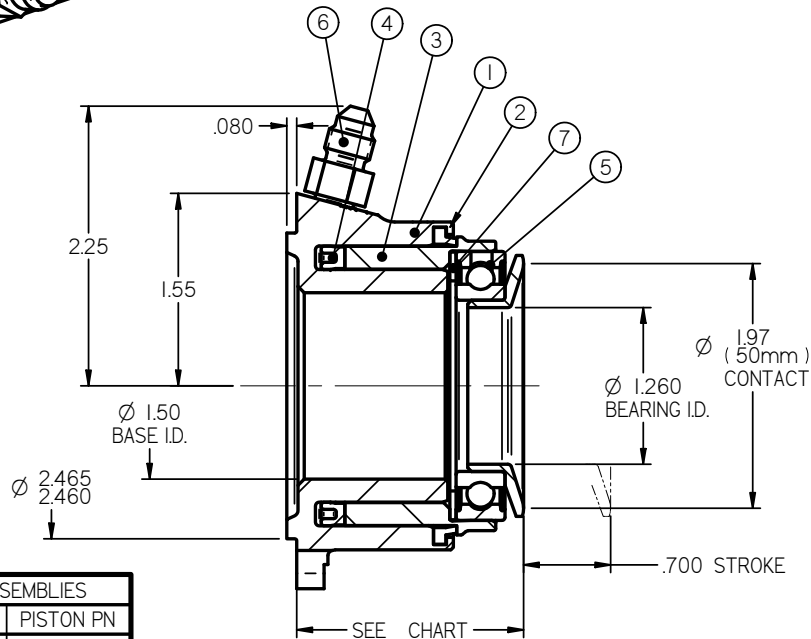


### INSTALLATION NOTES:

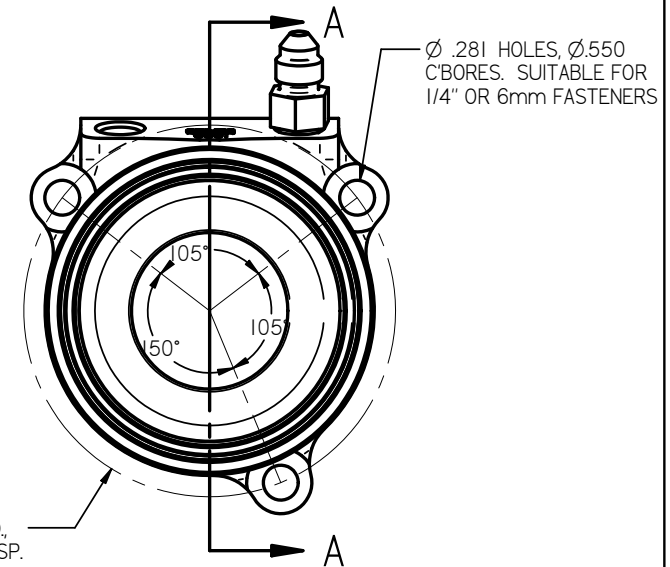
1. USE ONLY WITH DOT-3 OR DOT-4 BRAKE FLUID.
2. NO INTERNAL TRAVEL LIMITER. MUST BE USED WITH CLUTCH PEDAL STOP.
3. SEAL REBUILD KIT = 62-905.
4. SEAL INSTALLATION TOOL = 96-002.
5. HYDRAULIC AREA = 1.215 SQ IN.
6. EITHER PORT MAY BE USED FOR FEED OR BLEED.
7. ORIENTATE BLEED PORT WITH 10 DEGREES OF TOP CENTER TO FACILITATE BLEEDING PROCESS.
8. UNIT IS SHIPPED WITH SHIM 62-903 (.050" THICK) INSTALLED UNDER THE BEARING WHICH MAY BE REMOVED FOR ADDITIONAL CLEARANCE.
9. BOTH PORTS 3/8-24 UNF X .28 THREAD DEPTH.

ITEM	PART NUMBER	DESCRIPTION	QTY
1	62-1000	HYDRAULIC BASE	1
2	62-617	WIPER	1
3	SEE CHART	PISTON	1
4	62-614	HYDRAULIC SEAL	1
5	62-009	BEARING, 50mm	1
6	73-820	FITTING, AN-3	2
7	62-903	SHIM	1

This document contains proprietary information of TILTON ENGINEERING, INC. and its receipt or possession does not constitute an offer of any product. Reproduction, manufacture, use or sale without specific written authorization of TILTON ENGINEERING INC. is strictly forbidden.



### SECTION A-A



### CHART OF AVAILABLE ASSEMBLIES

HEIGHT	ASSY PN	PISTON PN
1.83"	60-1500	62-6000
1.93"	60-1510	62-6001
2.03"	60-1520	62-6002
2.13"	60-1530	62-6003
2.23"	60-1540	62-6004
2.33"	60-1550	62-6005
2.43"	60-1560	62-6006
2.53"	60-1570	62-6007
2.63"	60-1580	62-6008
2.73"	60-1590	62-6009

TILTON ENGINEERING, INC.

FAX 805/688-2745

25 EASY STREET, P.O. BOX 1787, BUELLTON, CA 93427 805/688-2353

**TITLE: HYDRAULIC RELEASE BEARING ASSEMBLY**  
**50mm RADIUS FACED BEARING, SAAB 9000 MOUNTING**

DRAWN BY WAHL	CHKD	SCALE 1:1	SIZE B	DWG 7723	REV NC
P/N SEE CHART	DATE 05/25/2022	SHEET 1 OF 1			

**TILTON ENGINEERING**