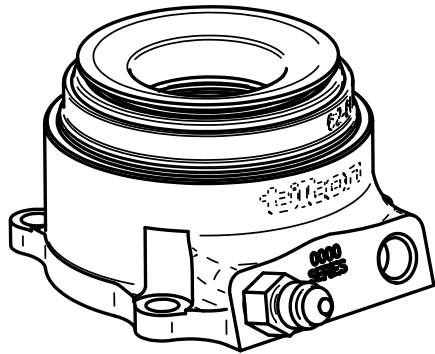


4

3

2

1


INSTALLATION NOTES:

1. USE ONLY WITH DOT-3 OR DOT-4 BRAKE FLUID.
2. NO INTERNAL TRAVEL LIMITER. MUST BE USED WITH CLUTCH PEDAL STOP.
3. SEAL REBUILD KIT = 62-905.
4. SEAL INSTALLATION TOOL = 96-002.
5. HYDRAULIC AREA = 1.215 SQ IN.
6. EITHER PORT MAY BE USED FOR FEED OR BLEED.
7. ORIENTATE BLEED PORT WITHIN 10 DEGREES OF TOP CENTER TO FACILITATE BLEEDING PROCESS.
8. UNIT IS SHIPPED WITH SHIM 62-903 (.050" THICK) INSTALLED UNDER THE BEARING WHICH MAY BE REMOVED FOR ADDITIONAL CLEARANCE.
9. BOTH PORTS 3/8-24 UNF X .28 THREAD DEPTH.

ITEM	PART NUMBER	DESCRIPTION	QTY
1	62-0000	HYDRAULIC BASE	1
2	62-617	WIPER	1
3	SEE CHART	PISTON	1
4	62-614	HYDRAULIC SEAL	1
5	62-009	BEARING, 50mm	1
6	73-820	FITTING, AN-3	2
7	62-903	SHIM	1

This document contains proprietary information of TILTON ENGINEERING, INC. and its receipt or possession does not constitute an offer of any product. Reproduction, manufacture, use or sale without specific written authorization of TILTON ENGINEERING INC. is strictly forbidden.

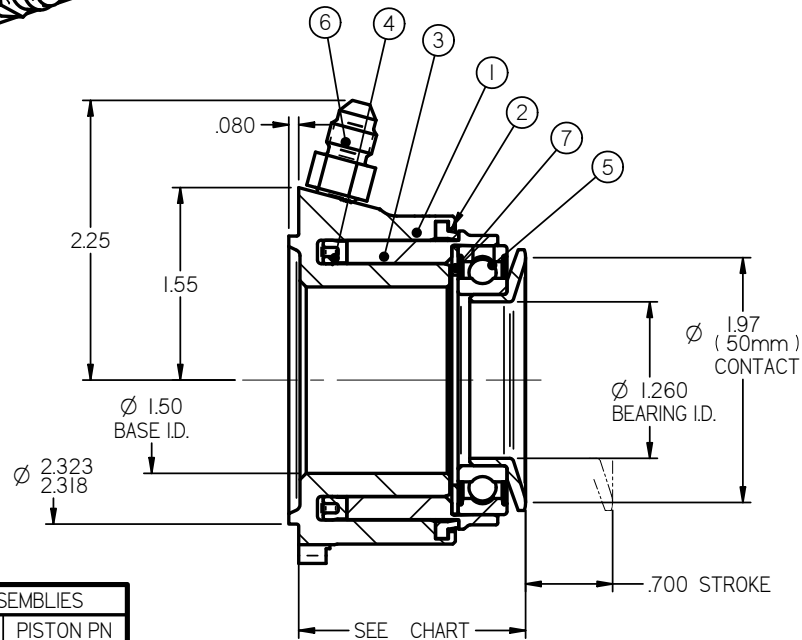
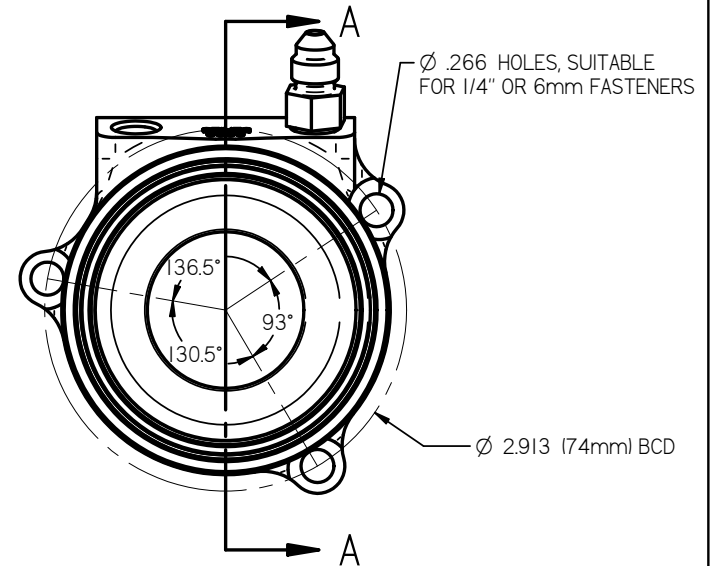

SECTION A-A


CHART OF AVAILABLE ASSEMBLIES		
HEIGHT	ASSY PN	PISTON PN
1.83"	60-0500	62-6000
1.93"	60-0510	62-6001
2.03"	60-0520	62-6002
2.13"	60-0530	62-6003
2.23"	60-0540	62-6004
2.33"	60-0550	62-6005
2.43"	60-0560	62-6006
2.53"	60-0570	62-6007
2.63"	60-0580	62-6008
2.73"	60-0590	62-6009

TILTON ENGINEERING, INC.

FAX 805/688-2745

25 EASY STREET, P.O. BOX 1787, BUELLTON, CA 93427 805/688-2353

**TITLE: HYDRAULIC RELEASE BEARING ASSEMBLY
50mm RADIUS FACED BEARING, SAAB 900 MOUNTING**

DRAWN BY WAHL	CHKD	SCALE 1:1	SIZE B	DWG 7722	REV NC
P/N SEE CHART	DATE 05/25/2022	SHEET 1 OF 1			

TILTON ENGINEERING