

4

3

2

1

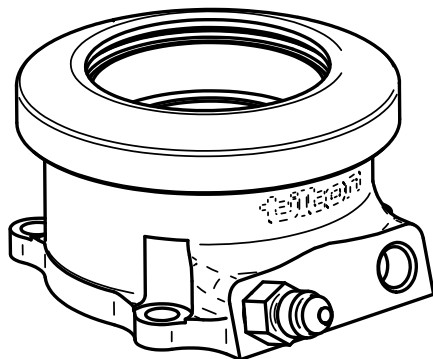
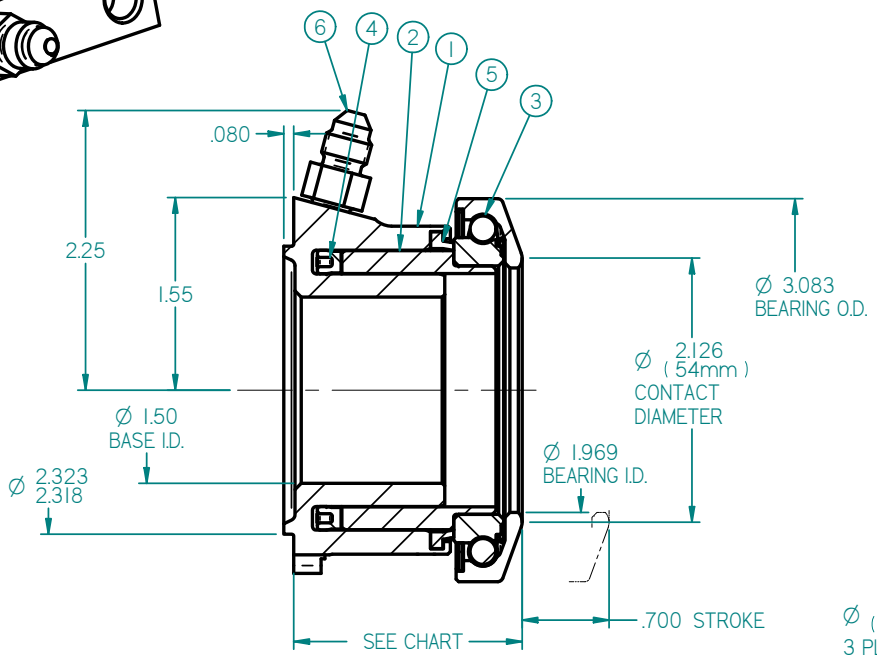
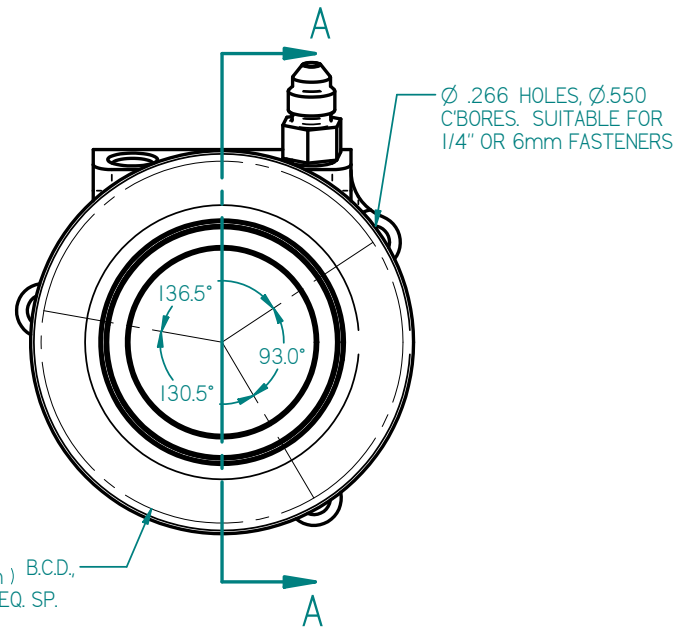


CHART OF AVAILABLE ASSEMBLIES		
HEIGHT	ASSY PN	PISTON PN
1.84"	60-0400	62-6100
2.04"	60-0420	62-6102

ITEM	PART NUMBER	DESCRIPTION	QTY
1	62-0000	HYDRAULIC BASE	1
2	SEE CHART	PISTON	1
3	62-611	BEARING, 54mm	1
4	62-614	SEAL	1
5	62-617	WIPER	1
6	73-820	FITTING, AN-3	2



SECTION A-A



INSTALLATION NOTES:

1. USE ONLY WITH DOT-3 OR DOT-4 BRAKE FLUID.
2. NO INTERNAL TRAVEL LIMITER. MUST BE USED WITH CLUTCH PEDAL STOP.
3. SEAL REBUILD KIT = 62-905.
4. SEAL INSTALLATION TOOL = 96-002.
5. HYDRAULIC AREA = 1.215 SQ IN.
6. EITHER PORT MAY BE USED FOR FEED OR BLEED.
7. ORIENTATE BLEED PORT WITH 10 DEGREES OF TOP CENTER TO FACILITATE BLEEDING PROCESS.
8. BOTH PORTS 3/8-24 UNF X .28 THREAD DEPTH.

TILTON ENGINEERING, INC.		FAX 805/688-2745	
25 EASY STREET, P.O. BOX 1787, BUELLTON, CA 93427 805/688-2353			
TITLE: HYDRAULIC RELEASE BEARING ASSEMBLY			
54mm RADIUS FACED BEARING, SAAB 900 MOUNTING			
DRAWN BY WAHL	CHKD	SCALE 1:1	SIZE DWG
P/N SEE CHART	DATE 3/2/2021	SHEET 1 OF 1	B 7458
			REV NC

*This document contains proprietary information of TILTON ENGINEERING, INC. and its receipt or possession does not constitute an offer of any product or service. Reproduction, manufacture, use or sale of anything in any description, disclosure, or use without specific written authorization of TILTON ENGINEERING INC. is strictly forbidden.

TILTON ENGINEERING