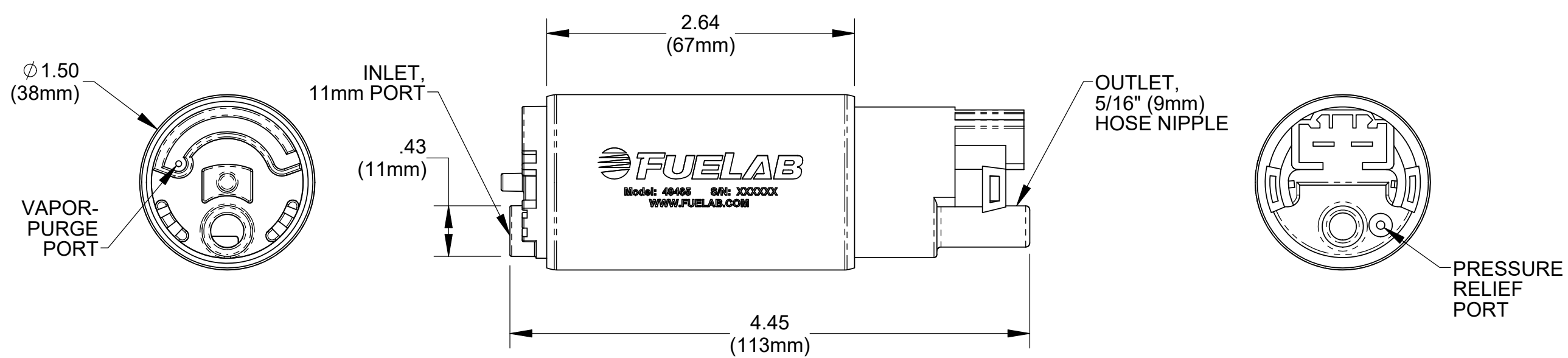
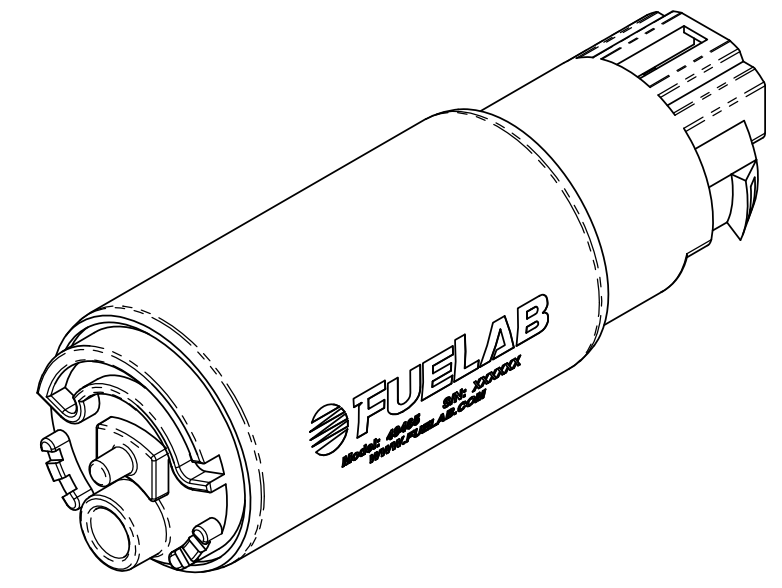


8 7 6 5 4 3 2 1

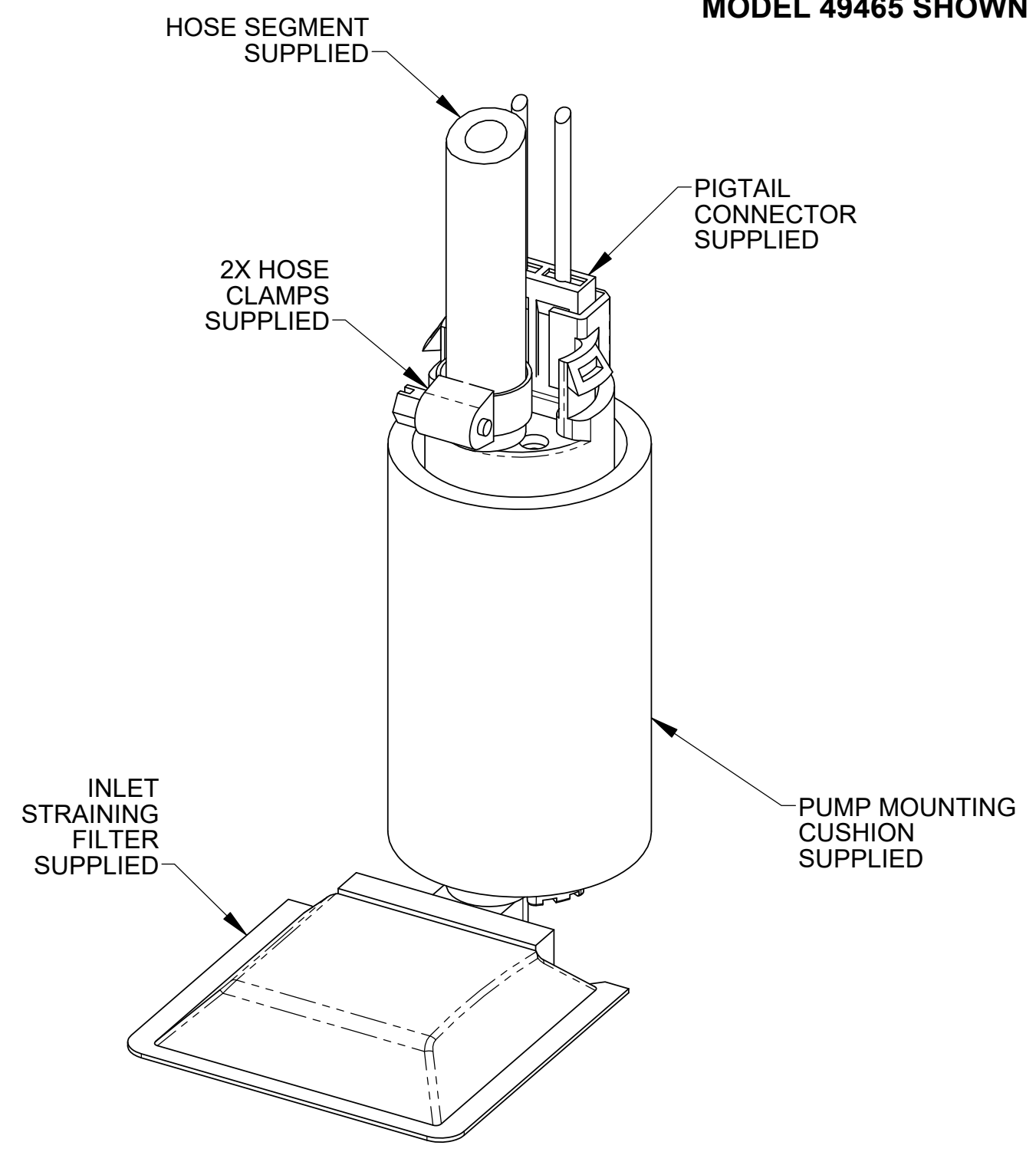
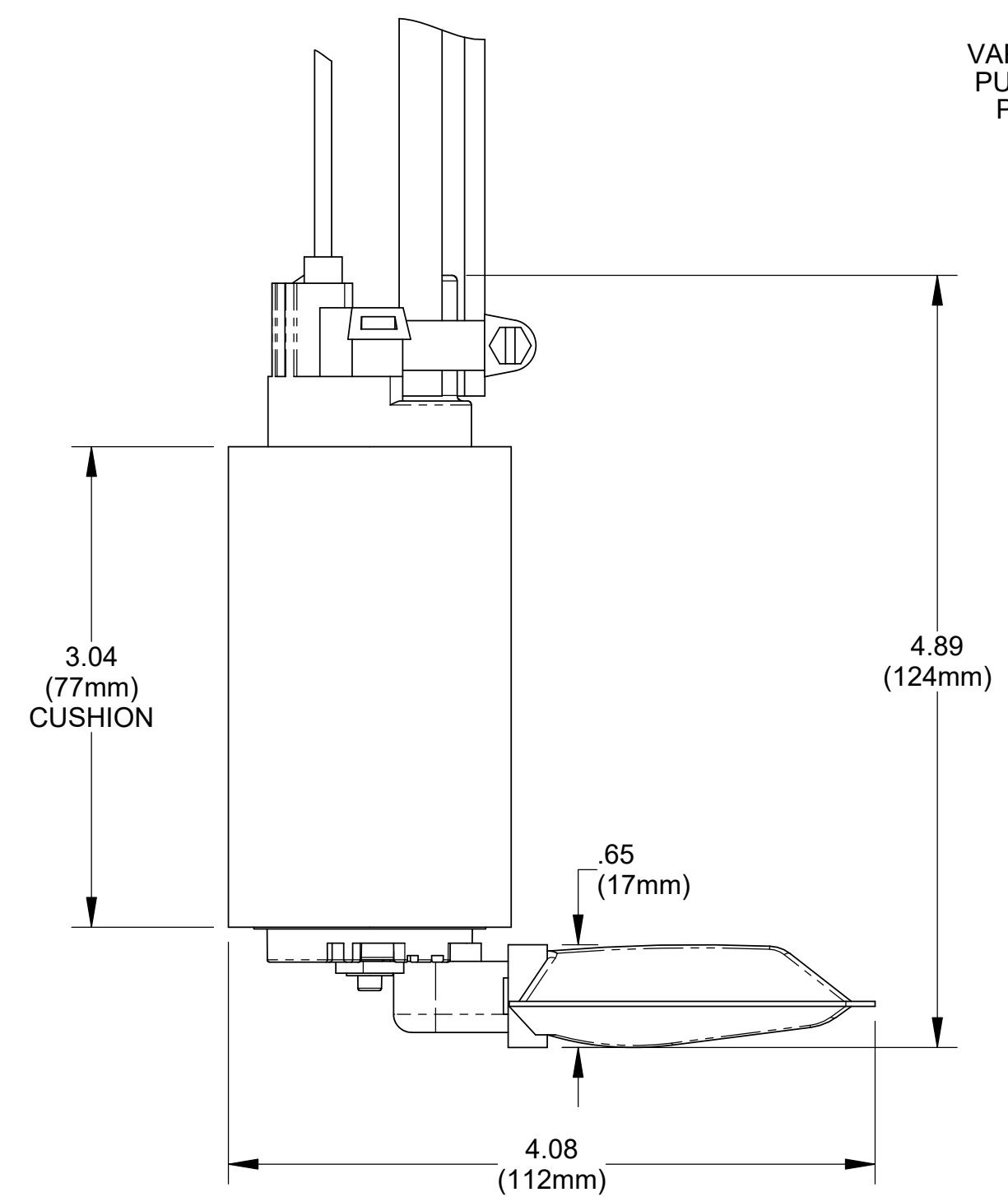
F E D C B A



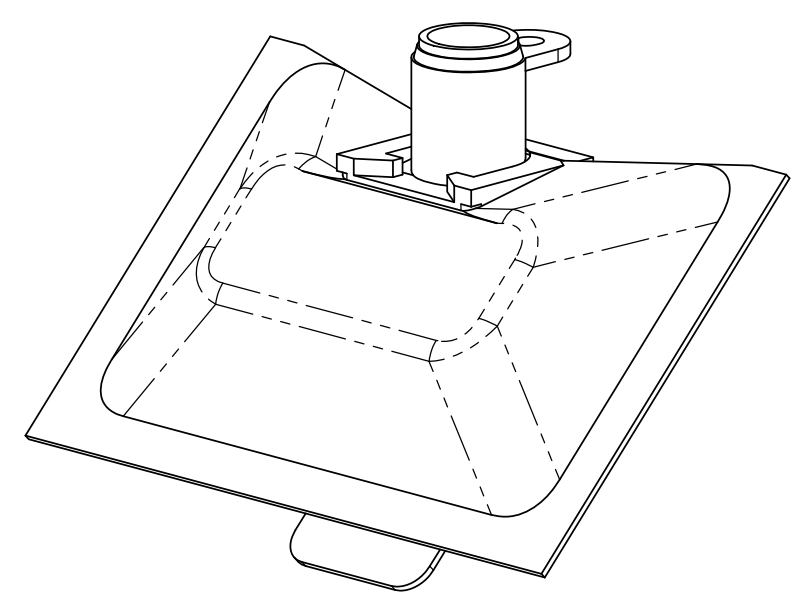
MODEL 49465 SHOWN ABOVE



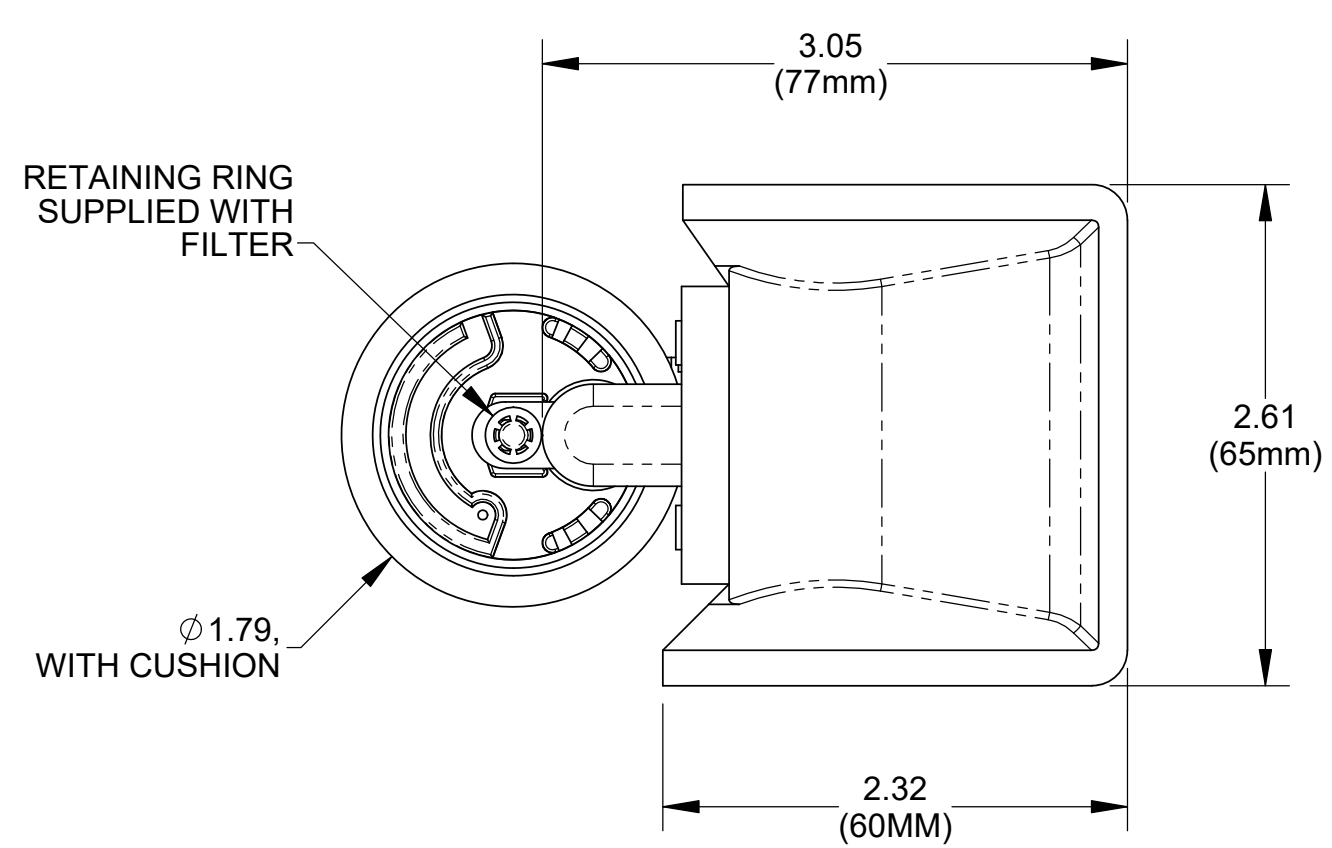
ISOMETRIC VIEW MODEL 49465



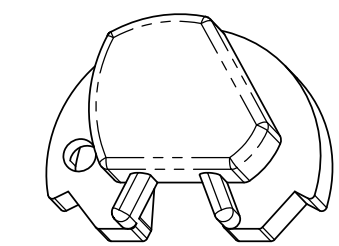
ISOMETRIC VIEW



ISOMETRIC VIEW ALTERNATE STRAINING FILTER (92x62mm) ALSO SUPPLIED



RETAINING RING SUPPLIED WITH FILTER



OPTIONAL INLET CUSHION

MODEL 49465 SHOWN ABOVE (WITH SUPPLIED ACCESSORIES)

UNLESS OTHERWISE SPECIFIED:		FUELAB Digital Fuel Delivery Collinsville, Illinois	
INTERPRET DWG PER ANSI Y14.5 DIMENSIONS ARE IN INCHES TOLERANCES: FRACTIONAL: ±1/64" ANGULAR: ±1/2° DECIMALS: X±1 .XX±.03 .XXX±.010 SURFACE FINISH: 128 OR BETTER BREAK ALL SHARP EDGES .010 MAX REMOVE ALL BURRS			
TITLE:		ELECTRIC FUEL PUMP, 494xx SERIES	
SIZE	DWG. NO.	REV	
C	112020100	A	
SCALE: 1/1	WEIGHT:	SHEET: 5 OF 6	

8 7 6 5 4 3 2 1