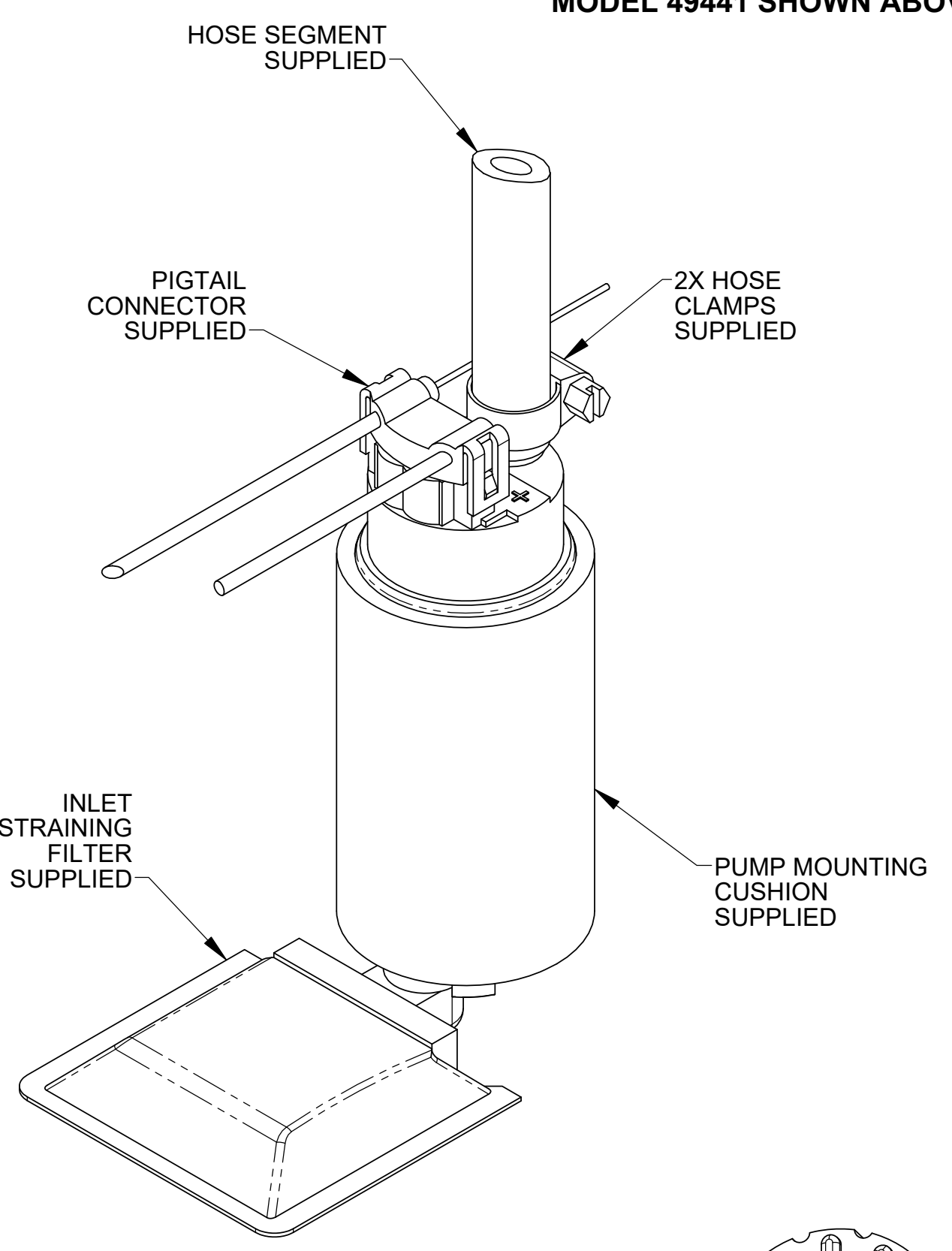
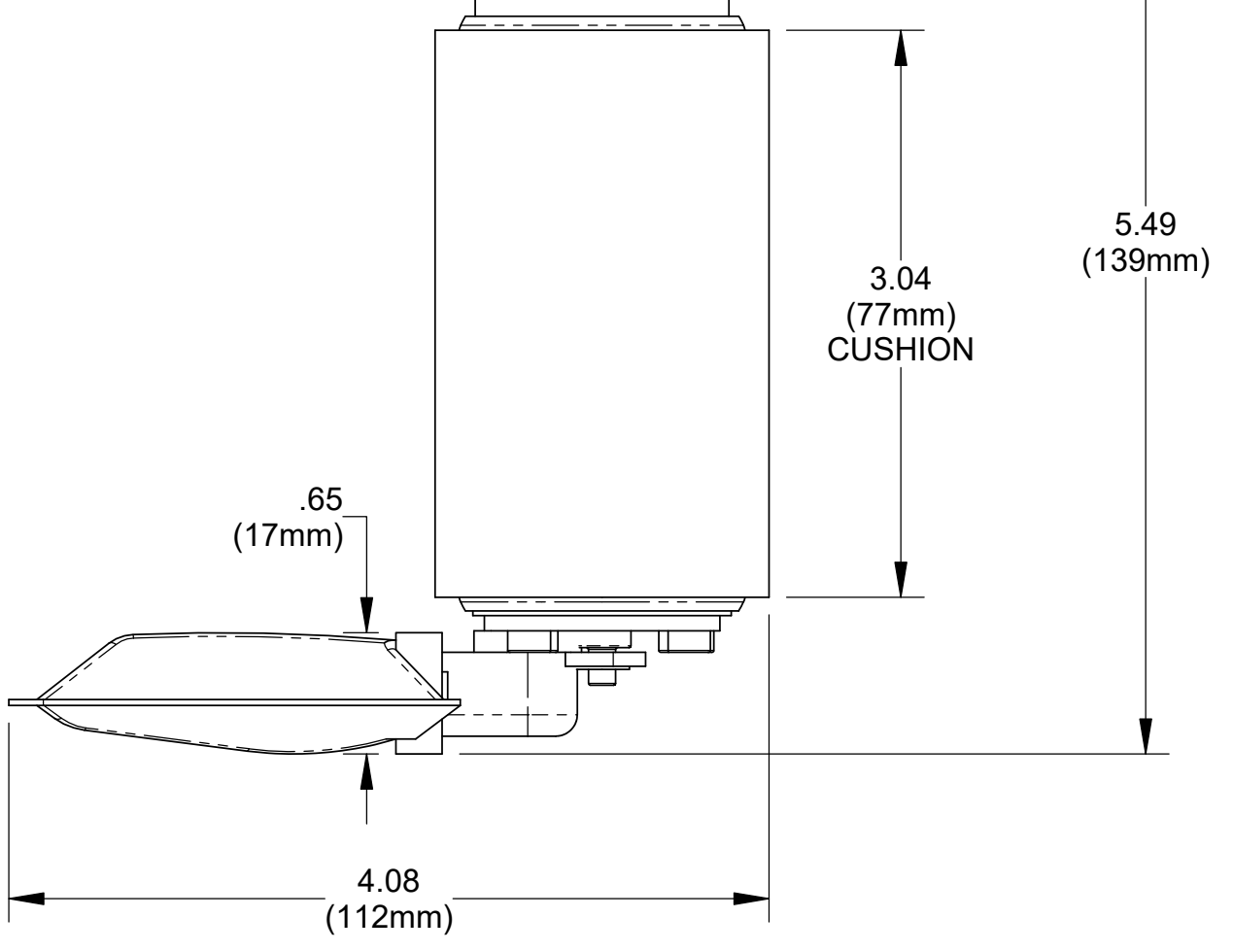
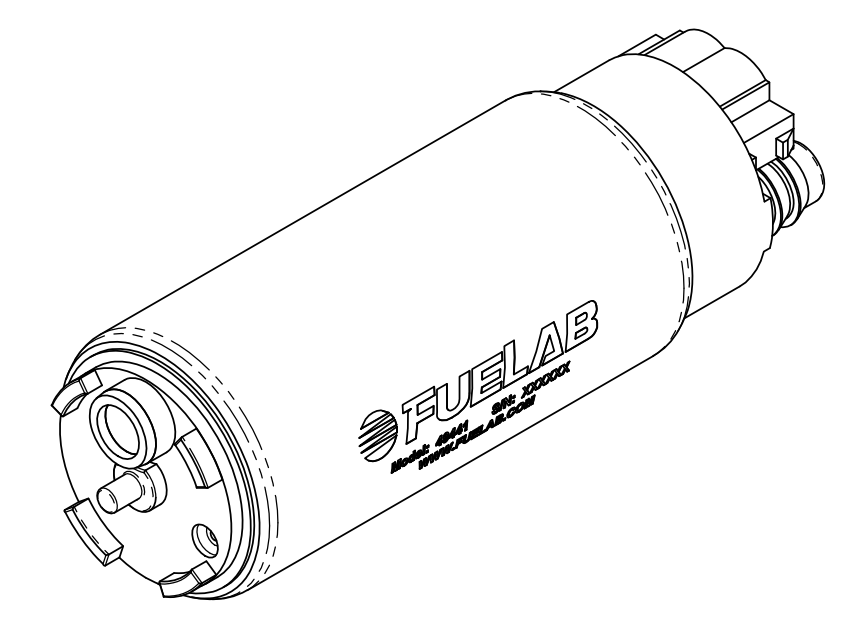


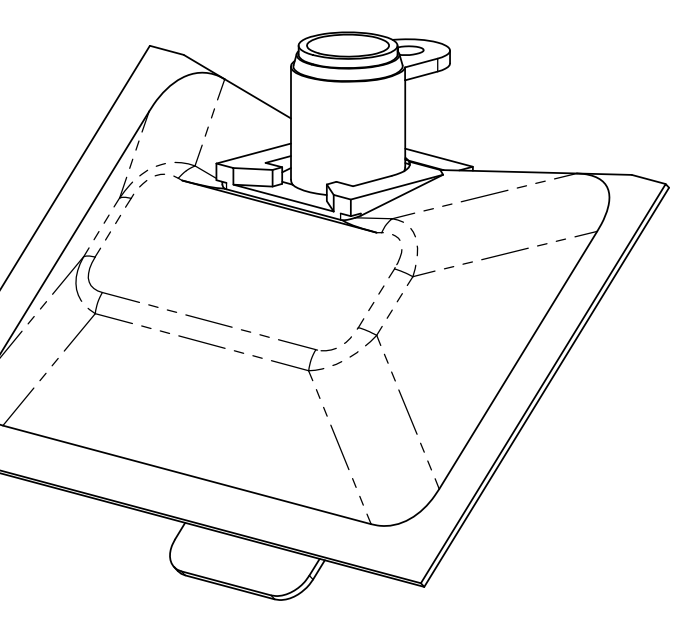
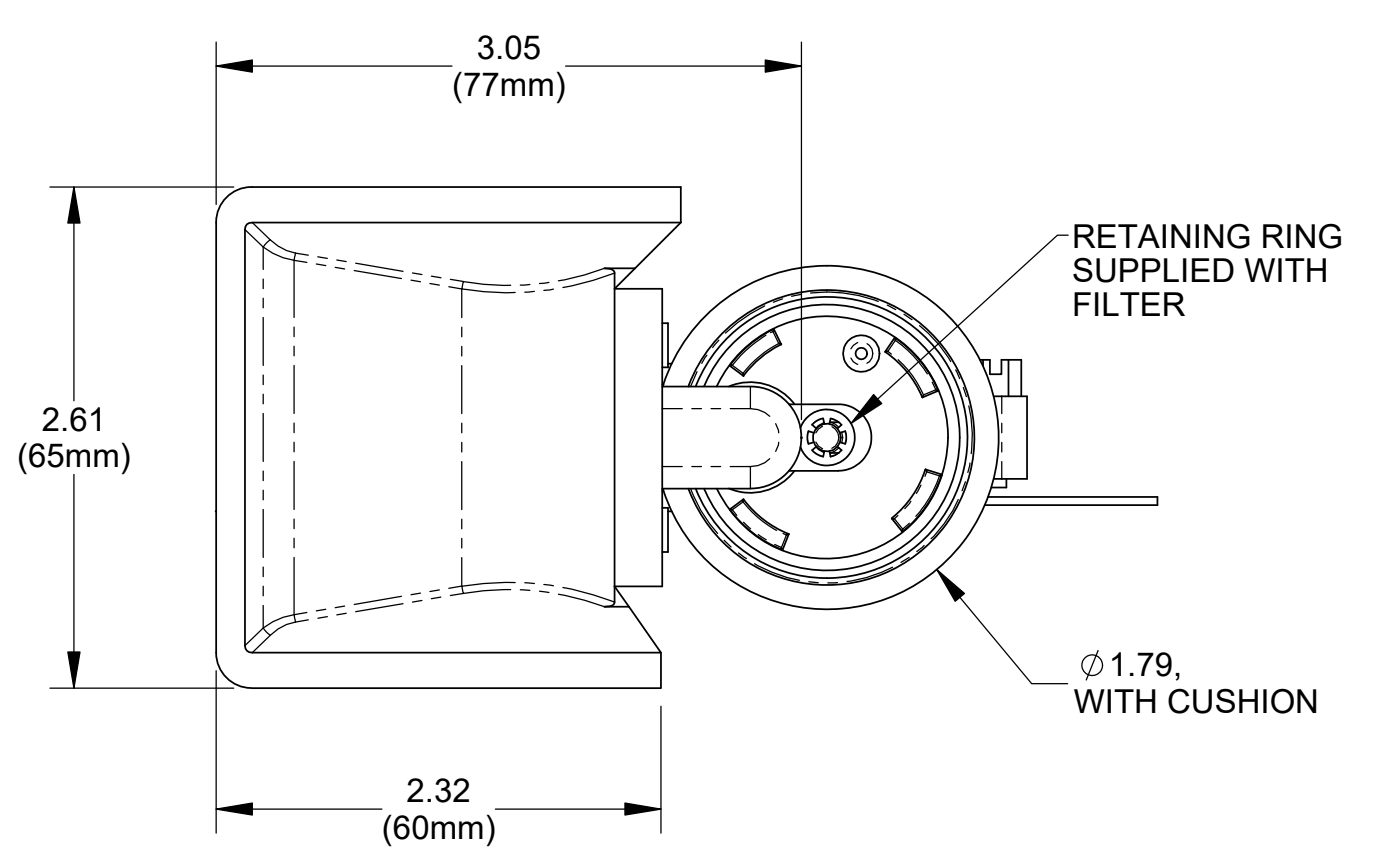
MODEL 49441 SHOWN ABOVE



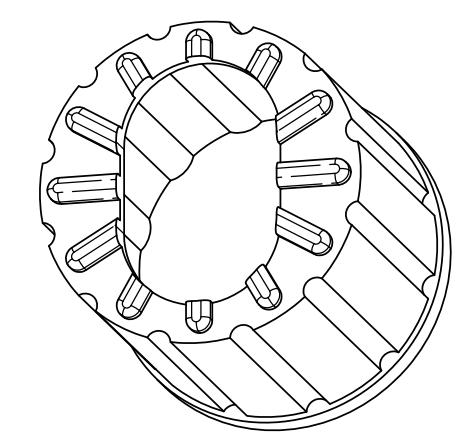
ISOMETRIC VIEW



**ISOMETRIC VIEW
MODEL 49441**



**ISOMETRIC VIEW
ALTERNATE STRAINING FILTER
(92x62mm) ALSO SUPPLIED**



**OPTIONAL SLEEVE CUSHION
AL;SO SUPPLIED**

**MODEL 49441 SHOWN ABOVE
(WITH SUPPLIED ACCESORIES)**

UNLESS OTHERWISE SPECIFIED:		FUELAB DIGITAL FUEL DELIVERY Collinsville, Illinois	
<small>INTERPRET DWG PER ANSI Y14.5 DIMENSIONS ARE IN INCHES TOLERANCES: FRACTIONAL: ±1/64" ANGULAR: ± 1/2° DECIMALS: X±1 .XX±.03 .XXX±.010 SURFACE FINISH: 128 ✓ OR BETTER BREAK ALL SHARP EDGES .010 MAX REMOVE ALL BURRS</small>			
TITLE:		ELECTRIC FUEL PUMP, 494xx SERIES	
SIZE	DWG. NO.	REV	
C	112020100	A	
SCALE: 1/1	WEIGHT:	SHEET: 3 OF 6	