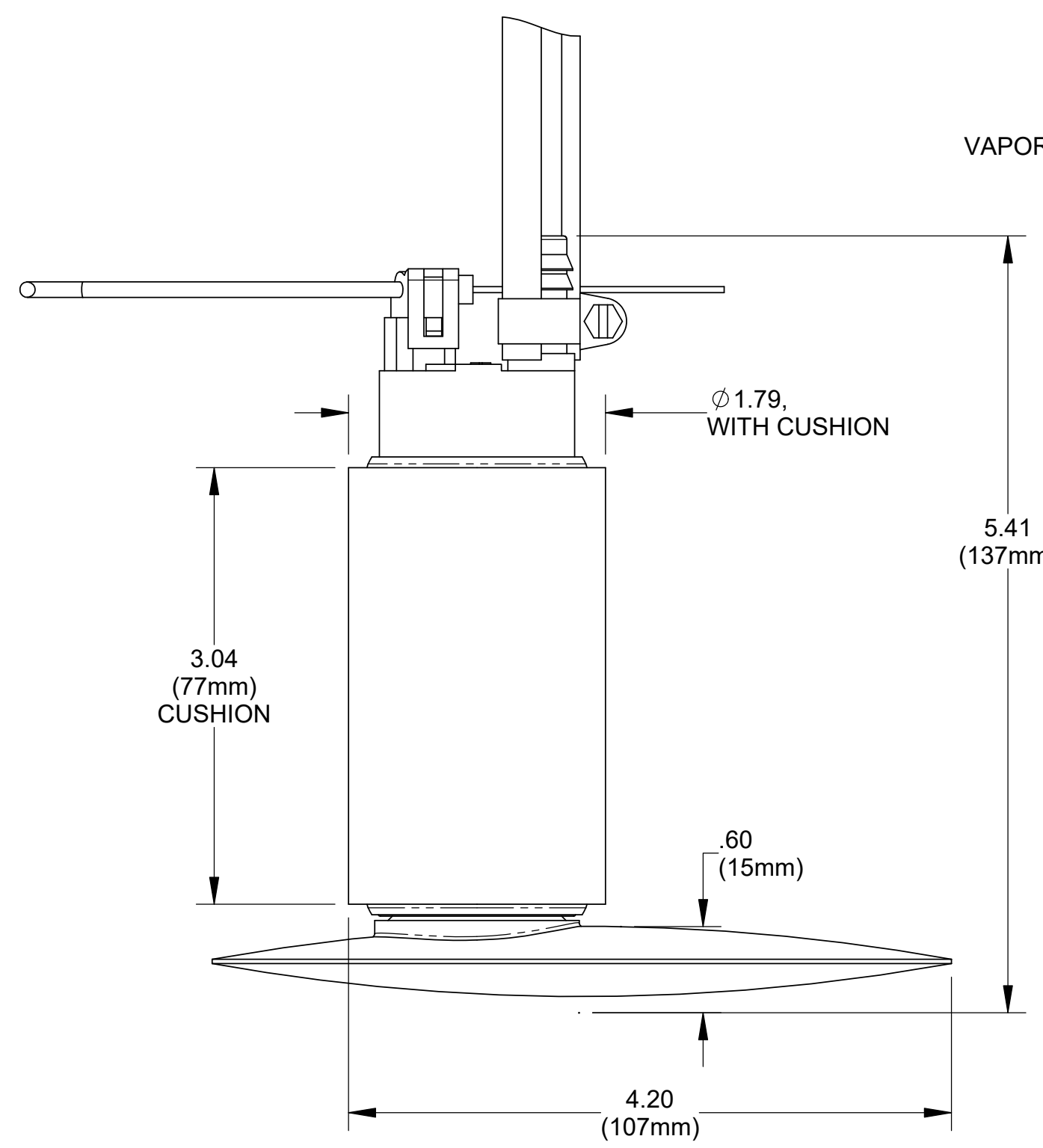
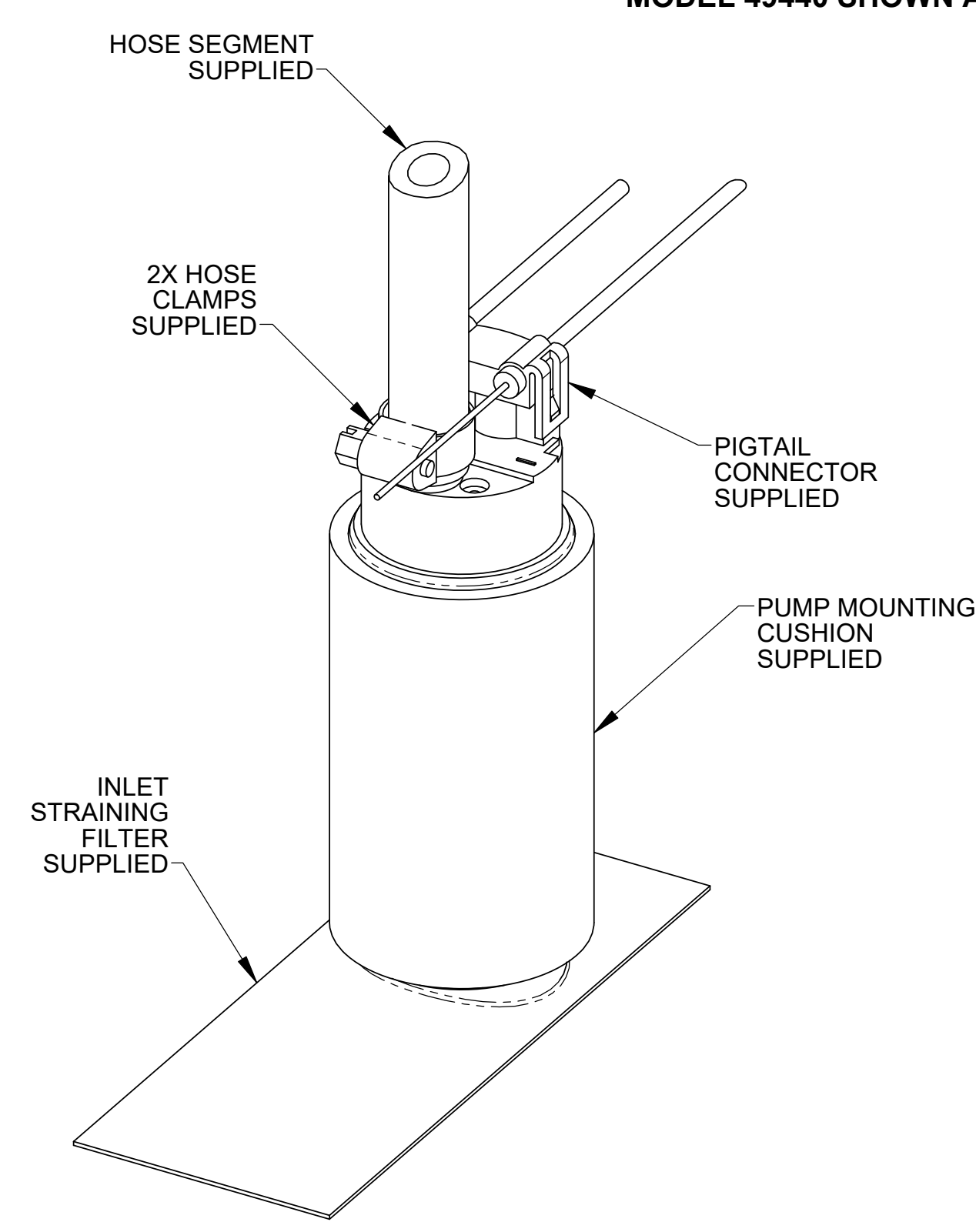


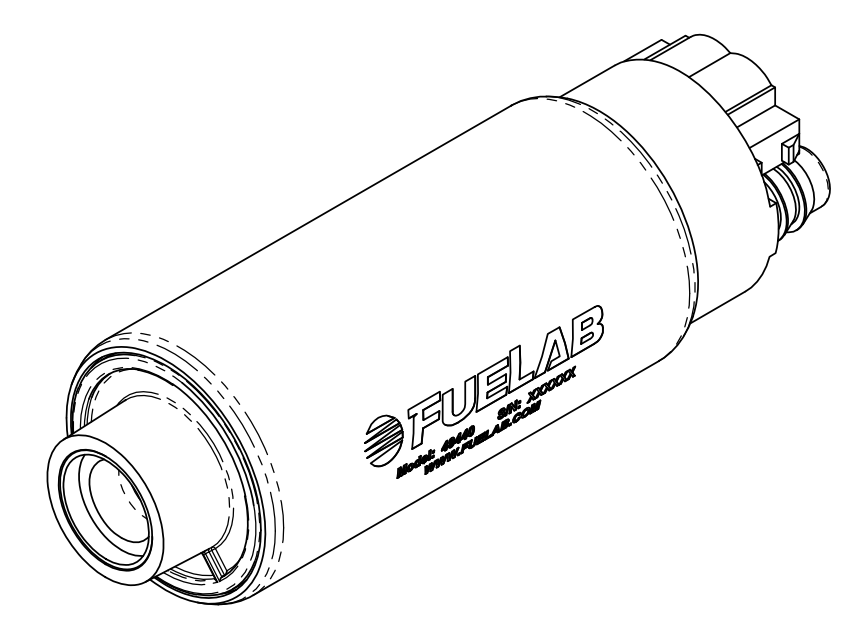
MODEL 49440 SHOWN ABOVE



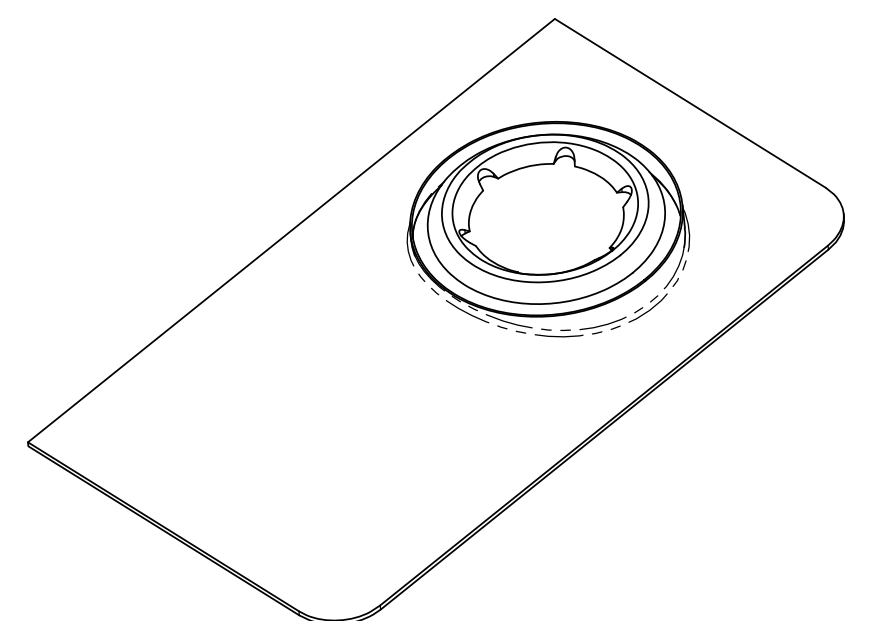
**MODEL 49440 SHOWN ABOVE
(WITH SUPPLIED ACCESORIES)**



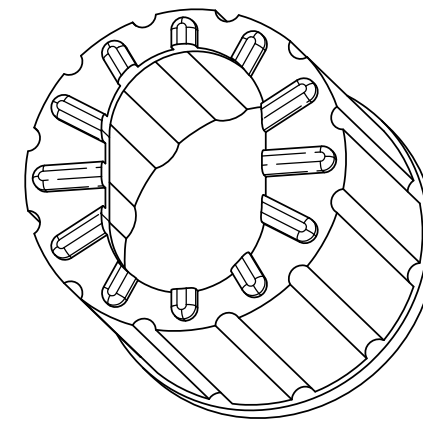
ISOMETRIC VIEW



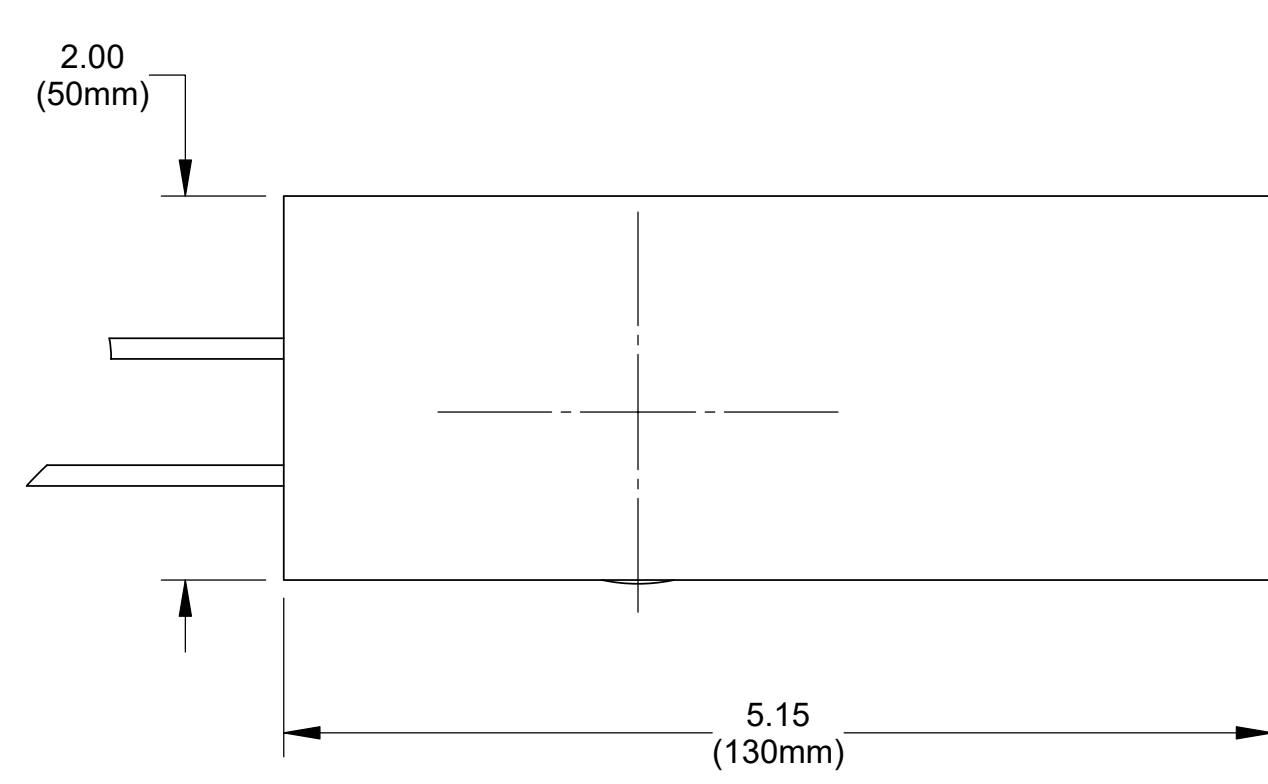
**MODEL 49440
ISOMETRIC VIEW**



**ISOMETRIC VIEW
ALTERNATE STRAINING FILTER
(100x50mm) ALSO SUPPLIED**



**OPTIONAL SLEEVE CUSHION
AL;SO SUPPLIED**



UNLESS OTHERWISE SPECIFIED: INTERPRET DWG PER ANSI Y14.5 DIMENSIONS ARE IN INCHES TOLERANCES: FRACTIONAL: ±1/64" ANGULAR: ±1/2° DECIMALS: X±1 .XX±.03 .XXX±.010 SURFACE FINISH: 128 OR BETTER BREAK ALL SHARP EDGES .010 MAX REMOVE ALL BURRS		 FUELAB DIGITAL FUEL DELIVERY Collinsville, Illinois	
TITLE: ELECTRIC FUEL PUMP, 494xx SERIES			
SIZE C	DWG. NO. 112020100	REV A	
SCALE: 1/1		WEIGHT:	SHEET: 2 OF 6