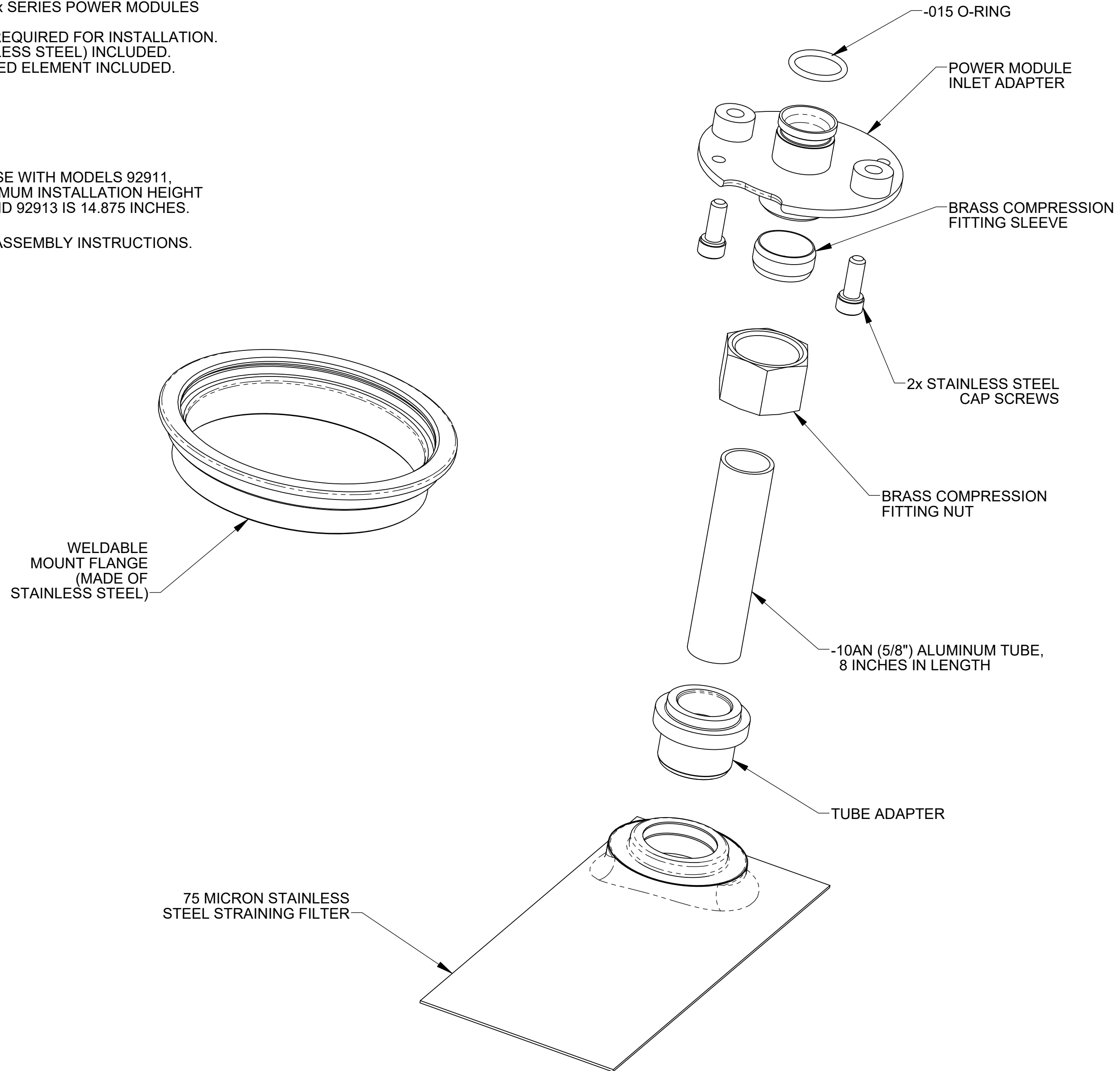

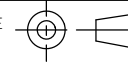


NOTES:

1. THIS DRAWING DESCRIBES THE FUELAB MODEL 20903 FABRICATOR INSTALLATION KIT.
2. FEATURES INCLUDE:
 - FOR USE WITH 909xx, 919xx AND 929xx SERIES POWER MODULES (NOT INCLUDED).
 - METAL FABRICATION AND WELDING REQUIRED FOR INSTALLATION.
 - MOUNTING FLANGE (MADE OF STAINLESS STEEL) INCLUDED.
 - STAINLESS STEEL 75 μ RELATIVE RATED ELEMENT INCLUDED.
3. FUEL COMPATIBILITY INCLUDES:
 - GASOLINE (PUMP OR RACE)
 - METHANOL
 - ETHANOL (INCLUDING E85)
 - DIESEL
4. MINIMUM INSTALLATION HEIGHT FOR USE WITH MODELS 92911, 92912 AND 92913 IS 8.000 INCHES. MAXIMUM INSTALLATION HEIGHT FOR USE WITH MODELS 92911, 92912 AND 92913 IS 14.875 INCHES.
5. REFERENCE DRAWING 1490201A1 FOR ASSEMBLY INSTRUCTIONS.

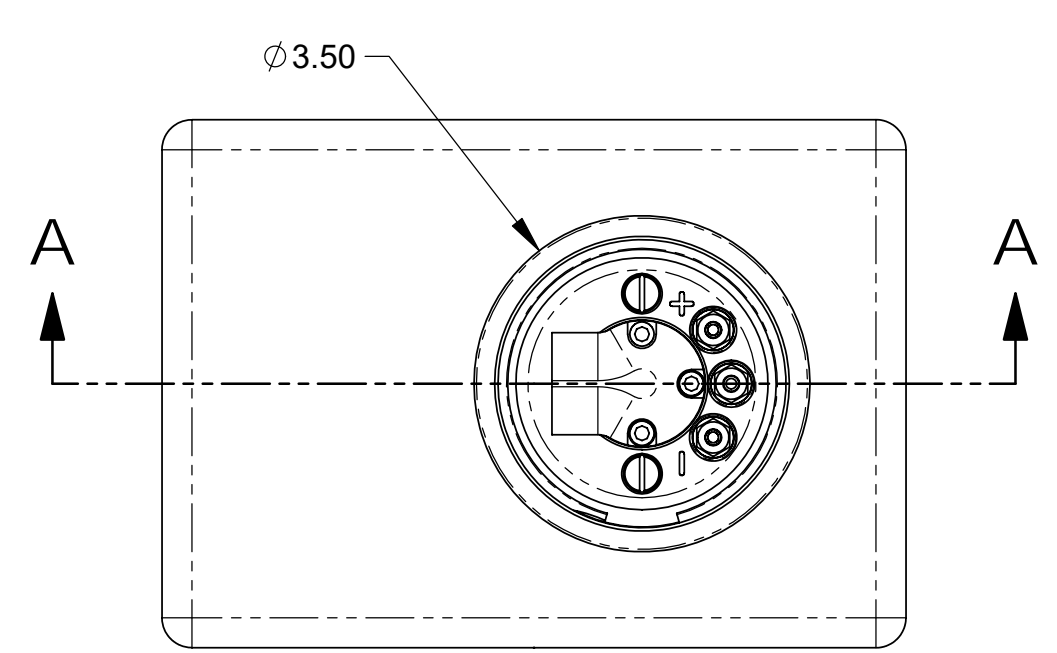


CONTENTS OF INSTALLATION KIT SHOWN ABOVE

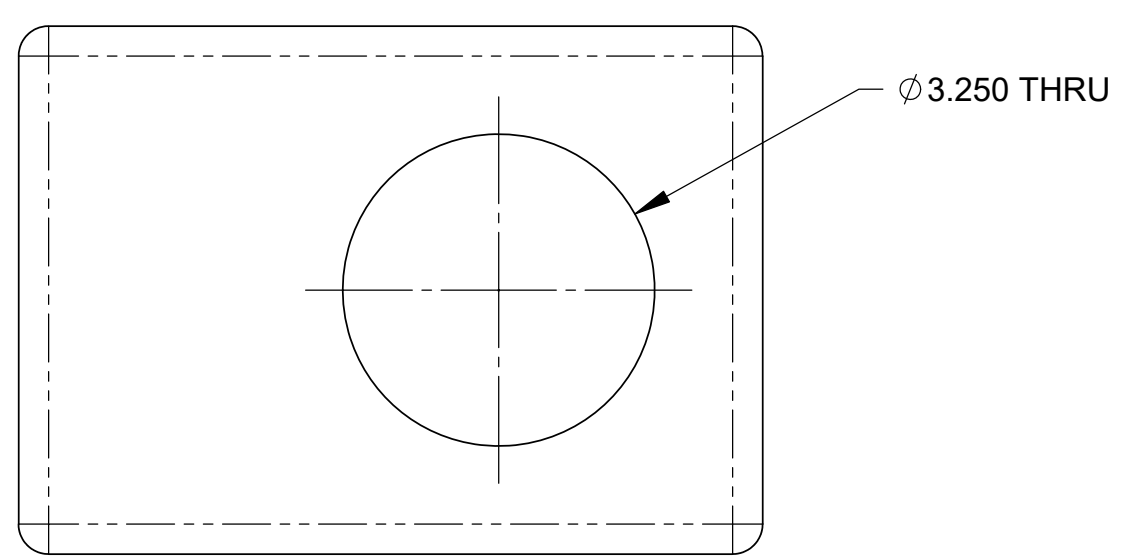
UNLESS OTHERWISE SPECIFIED:		 COLLINSVILLE, ILLINOIS	
<small>INTERPRET DWG PER ANSI Y14.5 DIMENSIONS ARE IN INCHES TOLERANCES: FRACTIONAL: ±1/64" ANGULAR: ±1/2° DECIMALS: X±1 .XX±.03 .XXX±.010 SURFACE FINISH 128 OR BETTER BREAK ALL SHARP EDGES .010 MAX REMOVE ALL BURRS</small>		<small>TITLE:</small> INSTALLATION KIT, MODEL 20903	
<small>THIRD ANGLE PROJECTION</small> 	<small>SIZE</small> C	<small>DWG. NO.</small> 149020300	<small>REV</small> A
<small>DO NOT SCALE DRAWING</small>		<small>SCALE:</small> 1/1	<small>WEIGHT:</small> .95 LB
		<small>SHEET:</small> 1 OF 2	

8 7 6 5 4 3 2 1

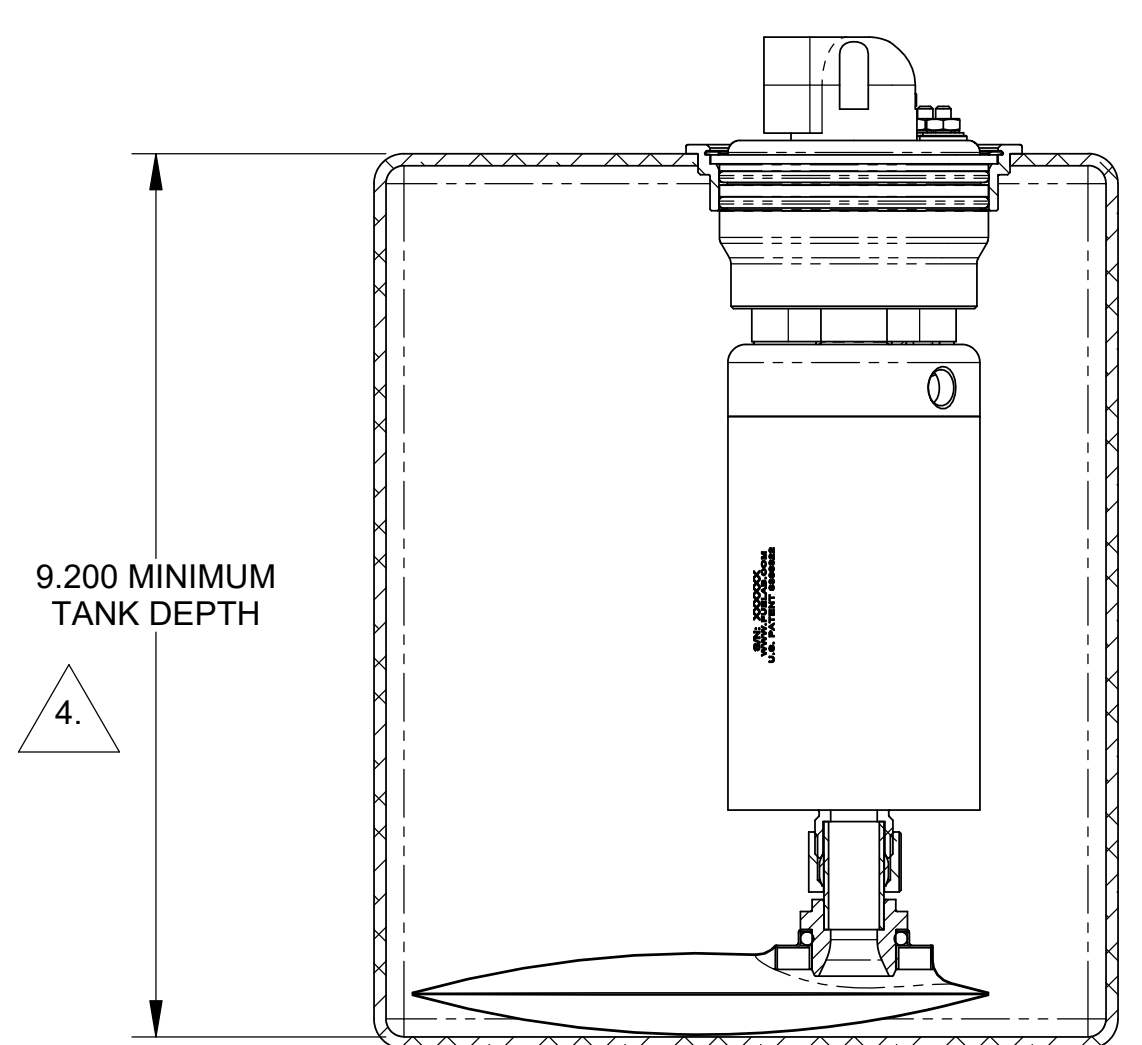
F E D C B A



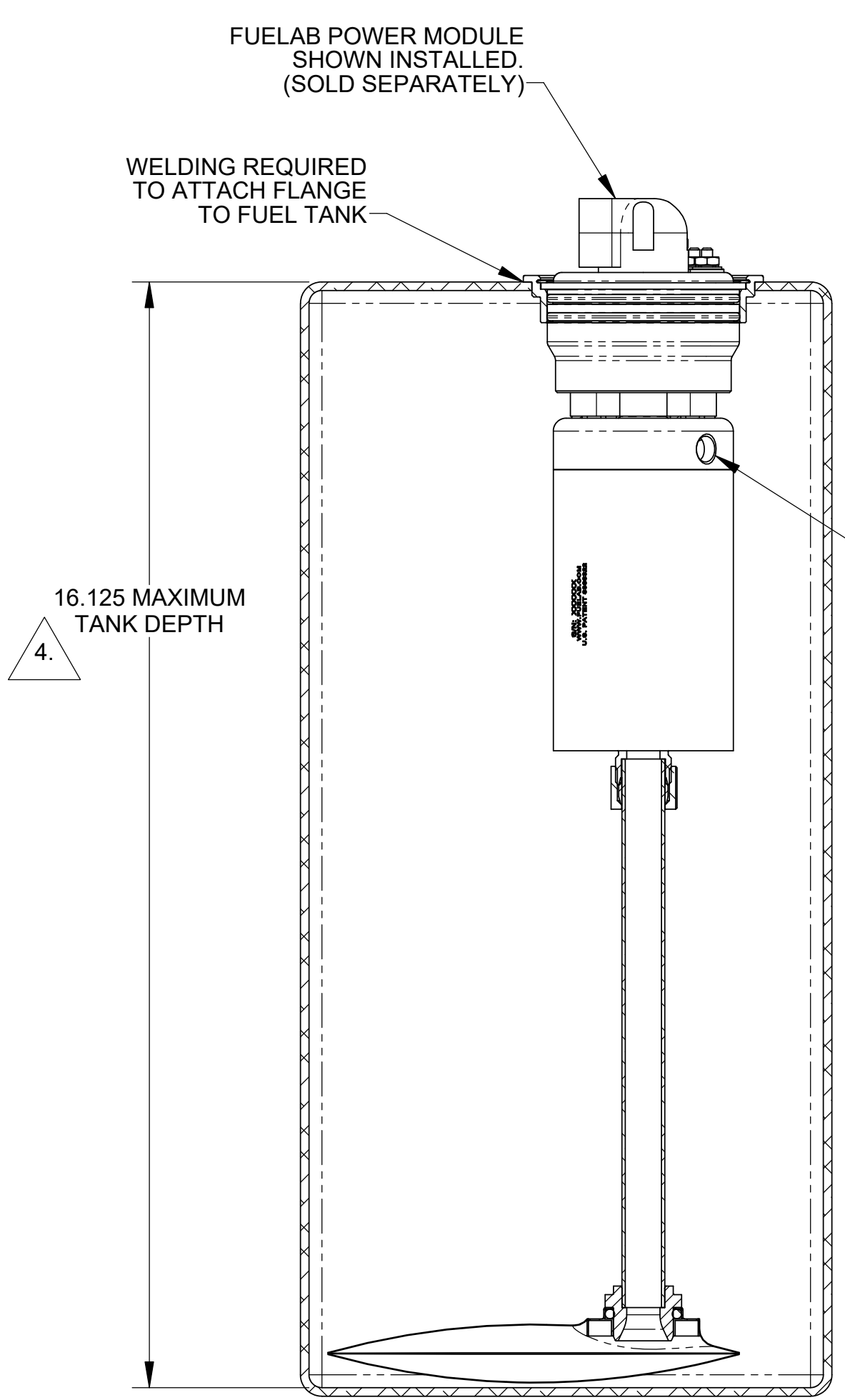
SCALE: 1/2



TANK FABRICATION REQUIREMENT SHOWN ABOVE SCALE: 1/2



SECTION A-A MINIMUM INSTALLATION HEIGHT SHOWN ABOVE SCALE: 1/2



SECTION A-A MAXIMUM INSTALLATION HEIGHT SHOWN ABOVE SCALE: 1/2

9.200 MINIMUM TANK DEPTH

16.125 MAXIMUM TANK DEPTH

2X OUTLET PORT FOR OPTIONAL EXTERNAL EDUCATOR (JET) PUMP.



UNLESS OTHERWISE SPECIFIED:		FUELAB DIGITAL FUEL DELIVERY Collinsville, Illinois	
INTERPRET DWG PER ANSI Y14.5 DIMENSIONS ARE IN INCHES		TITLE: INSTALLATION KIT, MODEL 20903	
TOLERANCES: FRACTIONAL: ±1/64" ANGULAR: ±1/2° DECIMALS: X±1 .XX±03 .XXX±010		SIZE C	DWG. NO. 149020300
SURFACE FINISH: 128 ✓ OR BETTER		REV A	SCALE: 1/1
BREAK ALL SHARP EDGES .010 MAX REMOVE ALL BURRS		WEIGHT:	SHEET: 2 OF 2
THIRD ANGLE PROJECTION		DO NOT SCALE DRAWING	

8 7 6 5 4 3 2 1