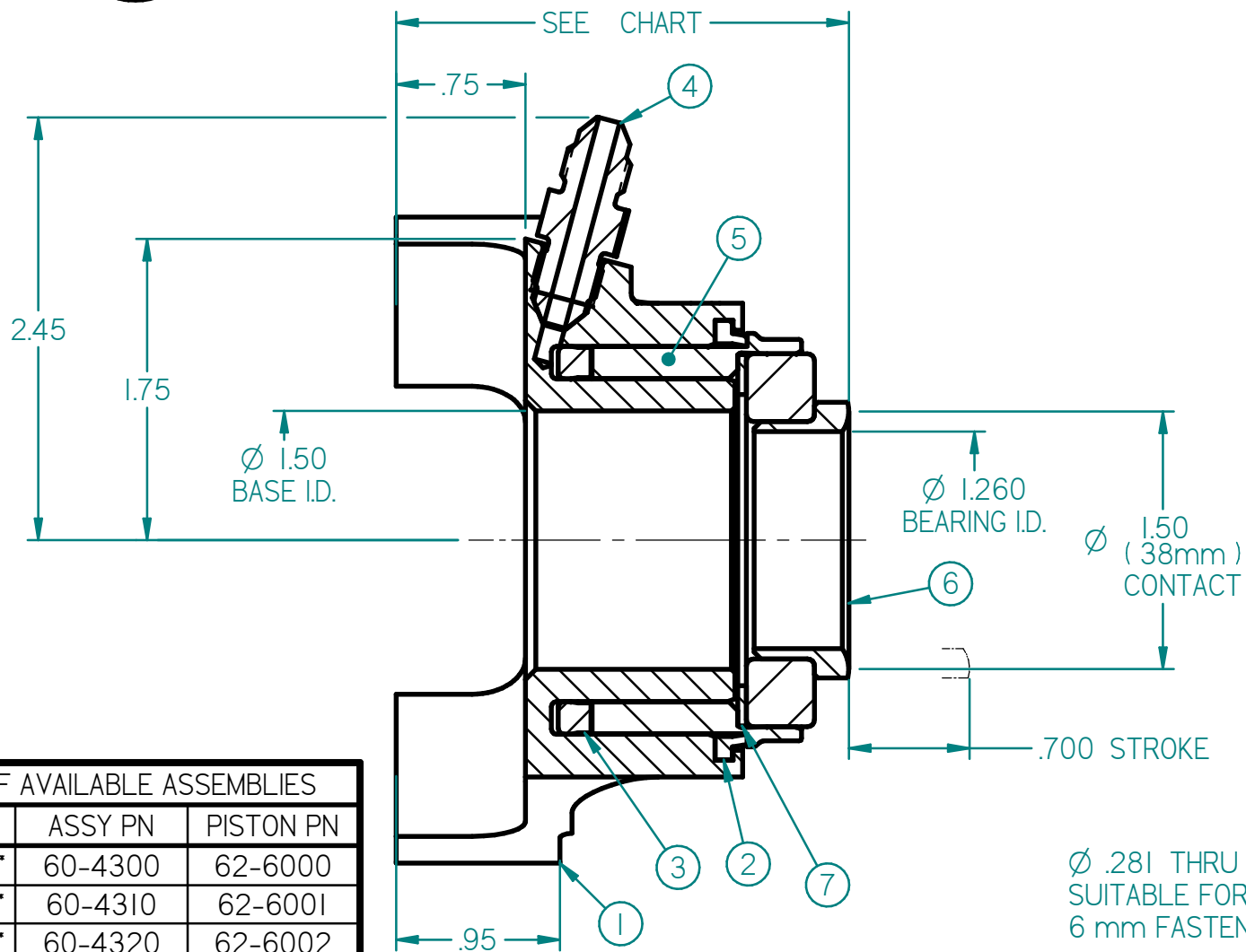


INSTALLATION NOTES:

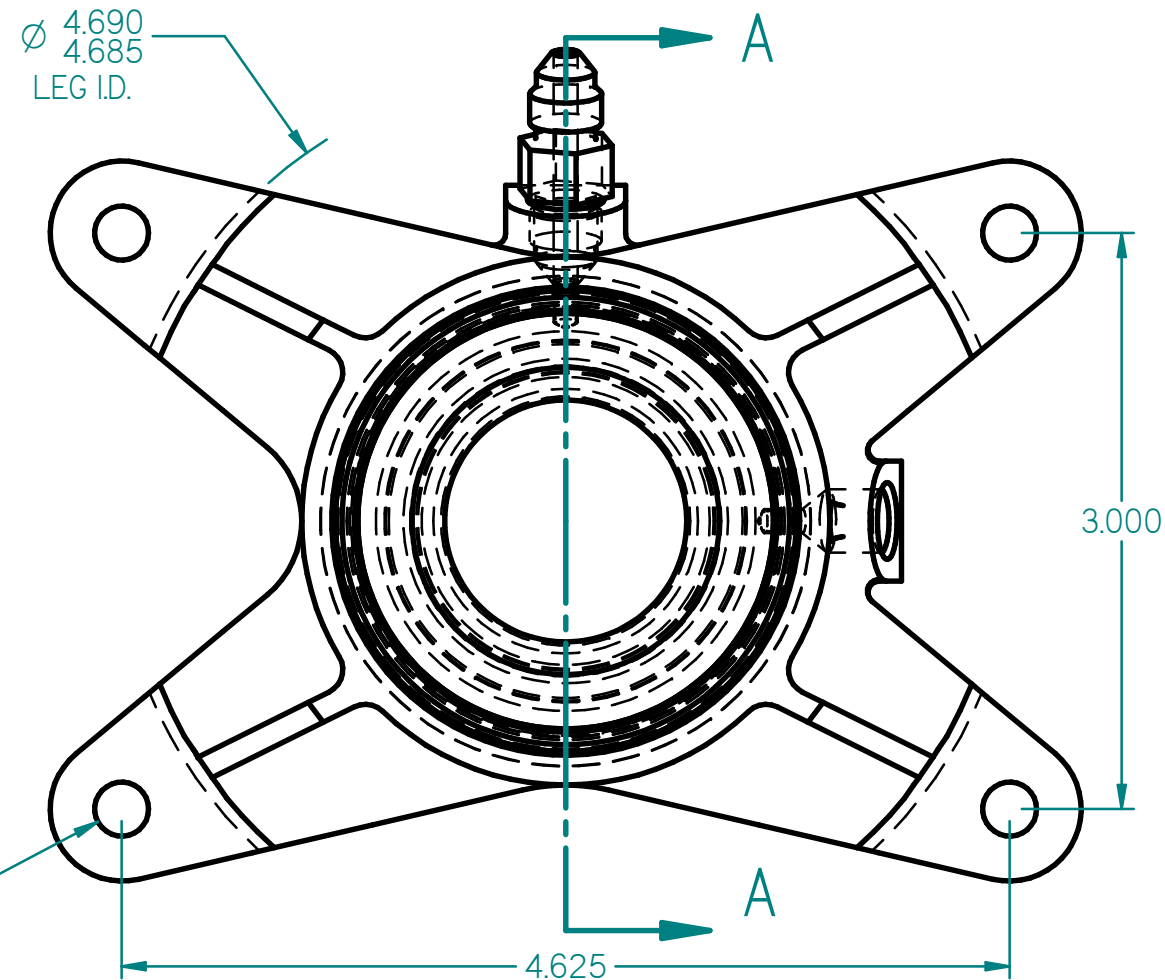
1. USE ONLY WITH DOT-3 OR DOT-4 BRAKE FLUID.
2. NO INTERNAL TRAVEL LIMITER. MUST BE USED WITH CLUTCH PEDAL STOP.
3. SEAL REBUILD KIT = 62-905.
4. SEAL INSTALLATION TOOL = 96-002.
5. HYDRAULIC AREA = 1.215 SQ IN.
6. EITHER PORT MAY BE USED FOR FEED OR BLEED.
7. ORIENTATE BLEED PORT TO WITHIN 10 DEGREES OF TOP CENTER TO FACILITATE BLEEDING PROCESS.
8. UNIT IS SHIPPED WITH SHIM 62-903 (.050" THICK) INSTALLED UNDER THE BEARING WHICH MAY BE REMOVED FOR ADDITIONAL CLEARANCE.
9. BOTH PORTS 3/8-24 UNF X .28 THREAD DEPTH.

ITEM	PART NUMBER	DESCRIPTION	QTY
1	62-402	HYDRAULIC BASE	1
2	62-617	WIPER	1
3	62-614	HYDRAULIC SEAL	1
4	73-820	FITTING, AN-3	2
5	SEE CHART	PISTON	1
6	62-008	BEARING	1
7	62-903	SHIM	1

This document contains proprietary information of TILTON ENGINEERING, INC., and its receipt or possession does not convey the rights to reproduce, disclose its contents, or to manufacture, use or sell anything it may describe. Reproduction, disclosure, or use without specific written authorization of TILTON ENGINEERING INC. is strictly forbidden.



SECTION A-A



HEIGHT	ASSY PN	PISTON PN
2.57"-2.62"	60-4300	62-6000
2.67"-2.72"	60-4310	62-6001
2.77"-2.82"	60-4320	62-6002
2.87"-2.92"	60-4330	62-6003
2.97"-3.02"	60-4340	62-6004
3.07"-3.12"	60-4350	62-6005
3.17"-3.22"	60-4360	62-6006
3.27"-3.32"	60-4370	62-6007
3.37"-3.42"	60-4380	62-6008
3.47"-3.52"	60-4390	62-6009

* HEIGHTS SHOWN IN CHART ARE WITH AND WITHOUT 62-903 SHIM

TILTON ENGINEERING, INC.		FAX 805/688-2745	
25 EASY STREET, P.O. BOX 1787, BUELLTON, CA 93427 805/688-2353			
TITLE: HYDRAULIC RELEASE BEARING ASSEMBLY		38 mm RADIUS FACED BEARING, 4 LEG BASE	
DRAWN BY WAHL	CHKD LUND	SCALE 1:1	SIZE DWG
P/N SEE CHART	DATE 03/20/2012	SHEET 1 OF 1	B 5606
			REV NC

TILTON ENGINEERING, INC.