

INSTALLATION NOTES:

1. USE ONLY WITH DOT-3 OR DOT-4 BRAKE FLUID.
2. NO INTERNAL TRAVEL LIMITER. MUST BE USED WITH CLUTCH PEDAL STOP.
3. SEAL REBUILD KIT = 62-905.
4. SEAL INSTALLATION TOOL = 96-002.
5. HYDRAULIC AREA = 1.215 SQ IN.
6. EITHER PORT MAY BE USED FOR FEED OR BLEED.
7. ORIENTATE BLEED PORT WITH 10 DEGREES OF TOP CENTER TO FACILITATE BLEEDING PROCESS.
8. UNIT IS SHIPPED WITH SHIM 62-903 (.050" THICK) INSTALLED UNDER THE BEARING WHICH MAY BE REMOVED FOR ADDITIONAL CLEARANCE.
9. BOTH PORTS 3/8-24 UNF X .28 THREAD DEPTH.

ITEM	PART NUMBER	DESCRIPTION	QTY
1	62-1000	HYDRAULIC BASE	1
2	62-617	WIPER	1
3	SEE CHART	PISTON	1
4	62-614	HYDRAULIC SEAL	1
5	62-031	BEARING	1
6	73-820	FITTING, AN-3	2
7	62-903	SHIM	1

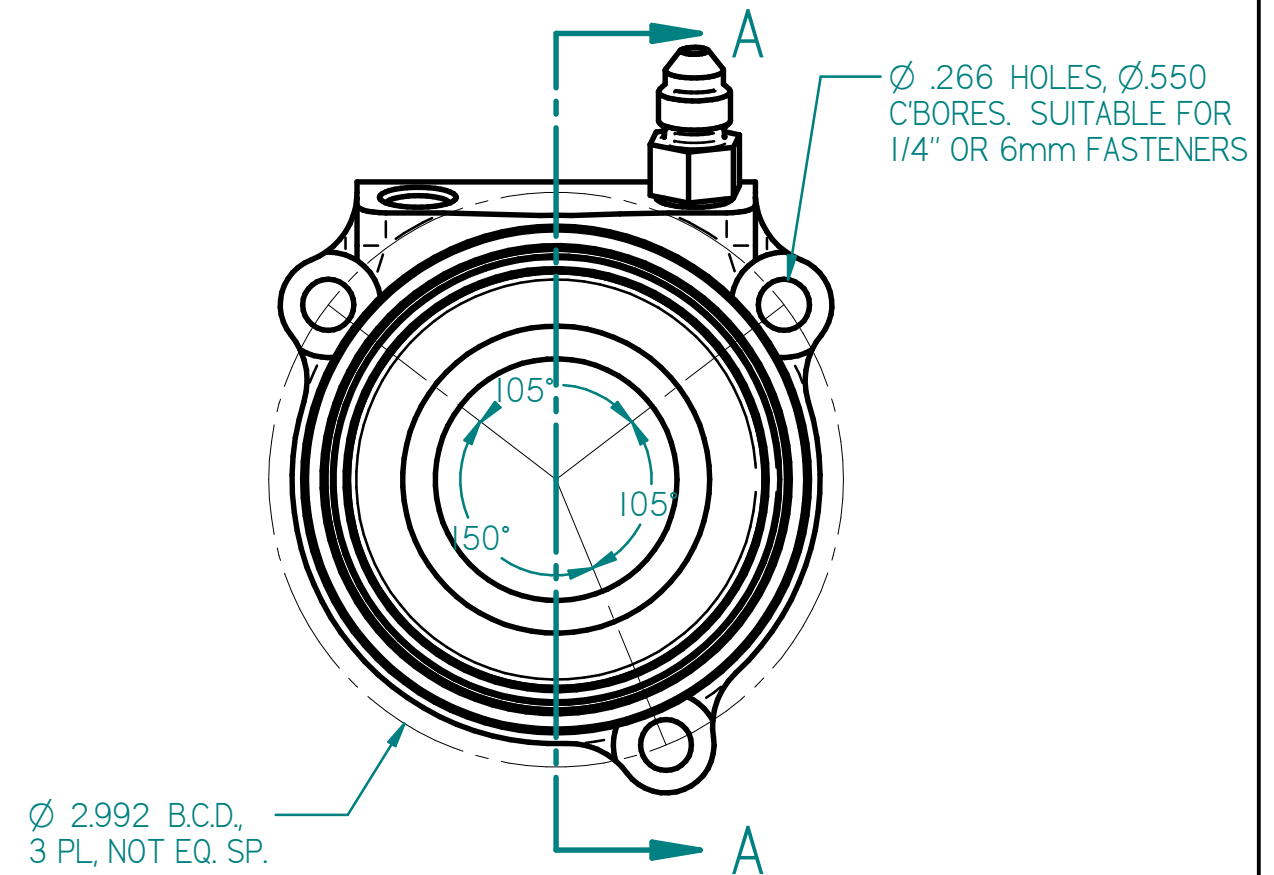
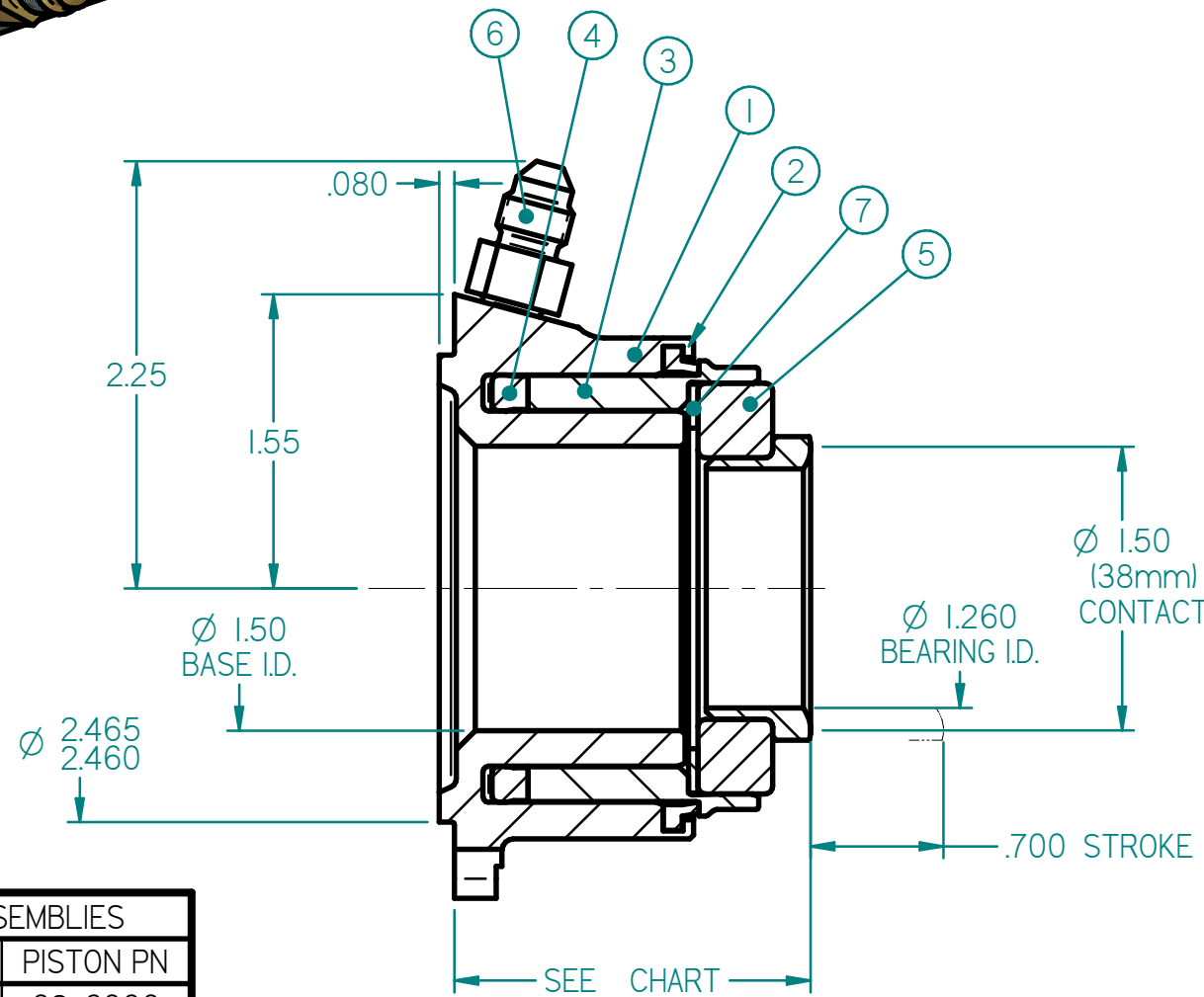


CHART OF AVAILABLE ASSEMBLIES		
HEIGHT	ASSY PN	PISTON PN
1.82"-1.87"	60-1300	62-6000
1.92"-1.97"	60-1310	62-6001
2.02"-2.07"	60-1320	62-6002
2.12"-2.17"	60-1330	62-6003
2.22"-2.27"	60-1340	62-6004
2.32"-2.37"	60-1350	62-6005
2.42"-2.47"	60-1360	62-6006
2.52"-2.57"	60-1370	62-6007
2.62"-2.67"	60-1380	62-6008
2.72"-2.77"	60-1390	62-6009

* HEIGHTS SHOWN IN CHART ARE WITH AND WITHOUT 62-903 SHIM

TILTON ENGINEERING, INC.		FAX 805/688-2745	
25 EASY STREET, P.O. BOX 1787, BUELLTON, CA 93427 805/688-2353			
TITLE:		HYDRAULIC RELEASE BEARING ASSEMBLY 38mm RADIUS FACED BEARING, SAAB 9000 MOUNTING	
DRAWN BY WAHL	CHKD LUND	SCALE 1:1	SIZE B
P/N SEE CHART	DATE 07/08/2013	SHEET 1 OF 1	DWG 5833
		REV NC	

tiltonENGINEERING

This document contains proprietary information of TILTON ENGINEERING, INC., and its receipt or possession does not convey the rights to reproduce, disclose its contents, or to manufacture, use or sell anything it may describe. Reproduction, disclosure, or use without specific written authorization of TILTON ENGINEERING INC. is strictly forbidden.