

HRB

5XXX-Series

4-leg hydraulic release bearing

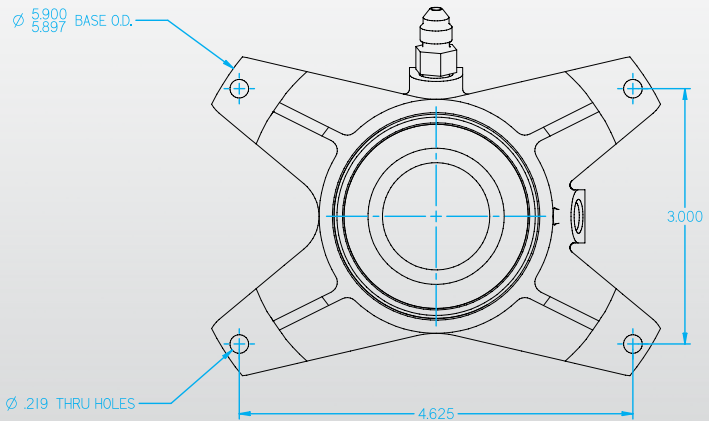
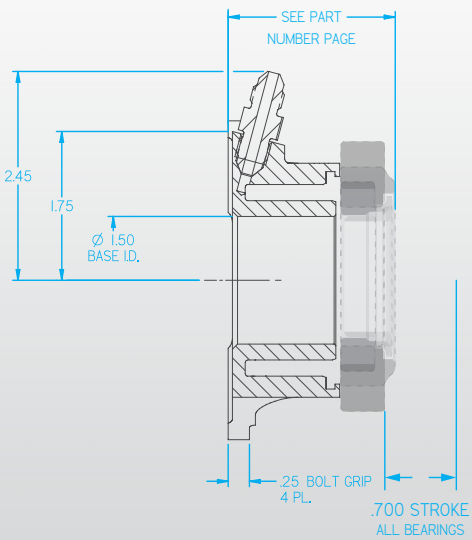
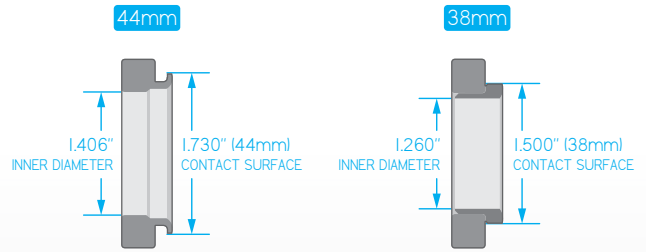


Mount:	4-bolt pattern
Body & Piston Material:	Aluminum
Piston Area:	1.215 in² (788mm²)
Max Stroke:	.700" (17.8mm)
Ports:	AN-3 (3/8"-24)
Included in kit:	AN-3 fittings (2)

Typical Applications

- Bulkhead-mounted inside transmissions or bellhousings

Reference Drawing



HRB Details



Contact: **1.75" (44mm)**
 Type: **Radius-face bearing**
 Weight: **.95 lbs (varies by p/n)**
 Application: **5.5" - 7.25" clutches**

52XX-Series

44mm		
Part Numbers	Overall Height	
	with shim	without shim
60-5200	1.92" (48.8mm)	1.87" (47.5mm)
60-5210	2.02" (51.3mm)	1.97" (50.0mm)
60-5220	2.12" (53.8mm)	2.07" (52.6mm)
60-5230	2.22" (56.4mm)	2.17" (55.1mm)
60-5240	2.32" (58.9mm)	2.27" (57.7mm)
60-5250	2.42" (61.5mm)	2.37" (60.2mm)
60-5260	2.52" (64.0mm)	2.47" (62.7mm)
60-5270	2.62" (66.5mm)	2.57" (65.3mm)
60-5280	2.72" (69.1mm)	2.67" (67.8mm)
60-5290	2.82" (71.6mm)	2.77" (70.4mm)



Contact: **1.50" (38mm)**
 Type: **Radius-face bearing**
 Weight: **.95 lbs (varies by p/n)**
 Application: **4.5" - 5.5" clutches**

53XX-Series

38mm		
Part Numbers	Overall Height	
	with shim	without shim
60-5300	1.92" (48.8mm)	1.87" (47.5mm)
60-5310	2.02" (51.3mm)	1.97" (50.0mm)
60-5320	2.12" (53.8mm)	2.07" (52.6mm)
60-5330	2.22" (56.4mm)	2.17" (55.1mm)
60-5340	2.32" (58.9mm)	2.27" (57.7mm)
60-5350	2.42" (61.5mm)	2.37" (60.2mm)
60-5360	2.52" (64.0mm)	2.47" (62.7mm)
60-5370	2.62" (66.5mm)	2.57" (65.3mm)
60-5380	2.72" (69.1mm)	2.67" (67.8mm)
60-5390	2.82" (71.6mm)	2.77" (70.4mm)

HRB comes from Tilton factory with shim installed in piston under the bearing. Shim can be removed by customer to gain .050" (1.3mm) additional clearance.