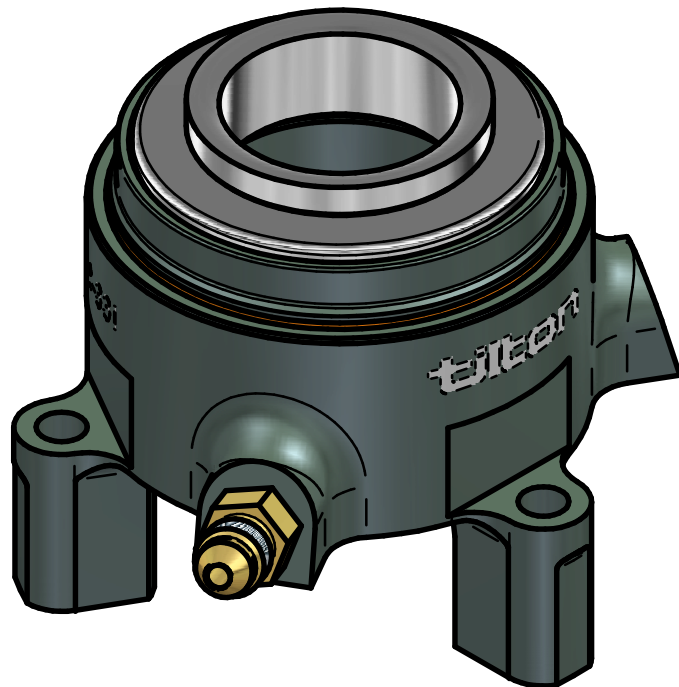


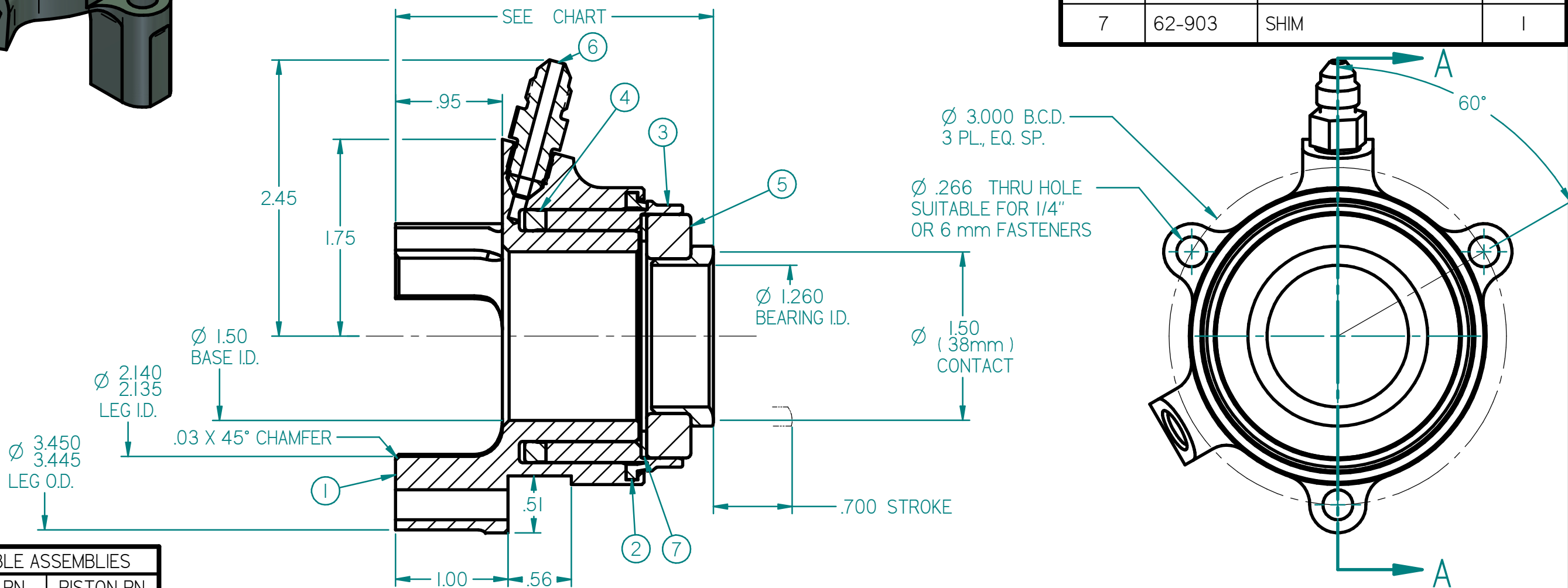
INSTALLATION NOTES:

1. USE ONLY WITH DOT-3 OR DOT-4 BRAKE FLUID.
2. NO INTERNAL TRAVEL LIMITER. MUST BE USED WITH CLUTCH PEDAL STOP.
3. SEAL REBUILD KIT = 62-905.
4. SEAL INSTALLATION TOOL = 96-002.
5. HYDRAULIC AREA = 1.215 SQ IN.
6. EITHER PORT MAY BE USED FOR FEED OR BLEED.
7. ORIENTATE BLEED PORT WITH 10 DEGREES OF TOP CENTER TO FACILITATE BLEEDING PROCESS.
8. UNIT IS SHIPPED WITH SHIM 62-903 (.050" THICK) INSTALLED UNDER THE BEARING WHICH MAY BE REMOVED FOR ADDITIONAL CLEARANCE.
9. BOTH PORTS 3/8-24 UNF X .28 THREAD DEPTH.



ITEM	PART NUMBER	DESCRIPTION	QTY
1	62-331	HYDRAULIC BASE	1
2	62-617	WIPER	1
3	SEE CHART	PISTON	1
4	62-614	HYDRAULIC SEAL	1
5	62-008	BEARING	1
6	73-820	FITTING, AN-3	2
7	62-903	SHIM	1

This document contains proprietary information of TILTON ENGINEERING, INC., and its receipt or possession does not convey the rights to reproduce, disclose its contents, or to manufacture, use or sell anything it may describe. Reproduction, disclosure, or use without specific written authorization of TILTON ENGINEERING INC. is strictly forbidden.



HEIGHT	ASSY PN	PISTON PN
2.77"-2.82"	60-3300	62-6000
2.87"-2.92"	60-3310	62-6001
2.97"-3.02"	60-3320	62-6002
3.07"-3.12"	60-3330	62-6003
3.17"-3.22"	60-3340	62-6004
3.27"-3.32"	60-3350	62-6005
3.37"-3.42"	60-3360	62-6006
3.47"-3.52"	60-3370	62-6007
3.57"-3.62"	60-3380	62-6008
3.67"-3.72"	60-3390	62-6009

\* HEIGHTS SHOWN IN CHART ARE WITH AND WITHOUT 62-903 SHIM

TILTON ENGINEERING, INC. FAX 805/688-2745

25 EASY STREET, P.O. BOX 1787, BUELLTON, CA 93427 805/688-2353

**TITLE: HYDRAULIC RELEASE BEARING ASSEMBLY**  
**38mm RADIUS FACED BEARING, 3 LEG BASE**

DRAWN BY WAHL	CHKD LUND	SCALE 1:1	SIZE B	DWG 5609	REV NC
P/N SEE CHART	DATE 03/20/2012	SHEET 1 OF 1			

